

## MODEL # VIDD1-27-R-SL-FD SNACKEE

### SPECIFICATIONS

The Vienna Series VIDD1-27-R-SL-FD-Snackee is a self-service counter top grab and go style dry display with slanted glass profile and slow closing flip doors. Features include stainless steel construction, 1 glass shelf with LED lighting, and a rear mirrored hinged door.



- Available lengths:  23 5/8"  
 Available depths:  28"  
 Available heights:  27 5/8" (ABOVE COUNTER)

### STANDARD FEATURES

- Slanted style display
- Stainless steel exterior and interior
- Glass sides and top
- Hinged rear door, mirror polished on interior side
- (2) Slow self closing flip up doors
- Energy efficient LED lighting
- (1) glass shelf
- On / Off Switch for interior lighting
- ETL listed in accordance with UL 471 and NSF 7 standards

### OPTIONAL FEATURES

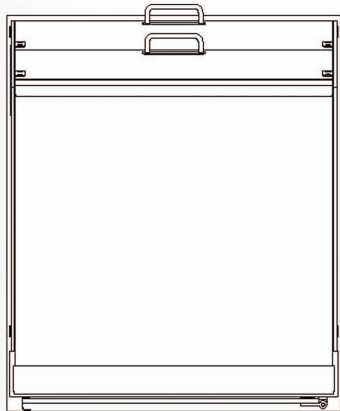
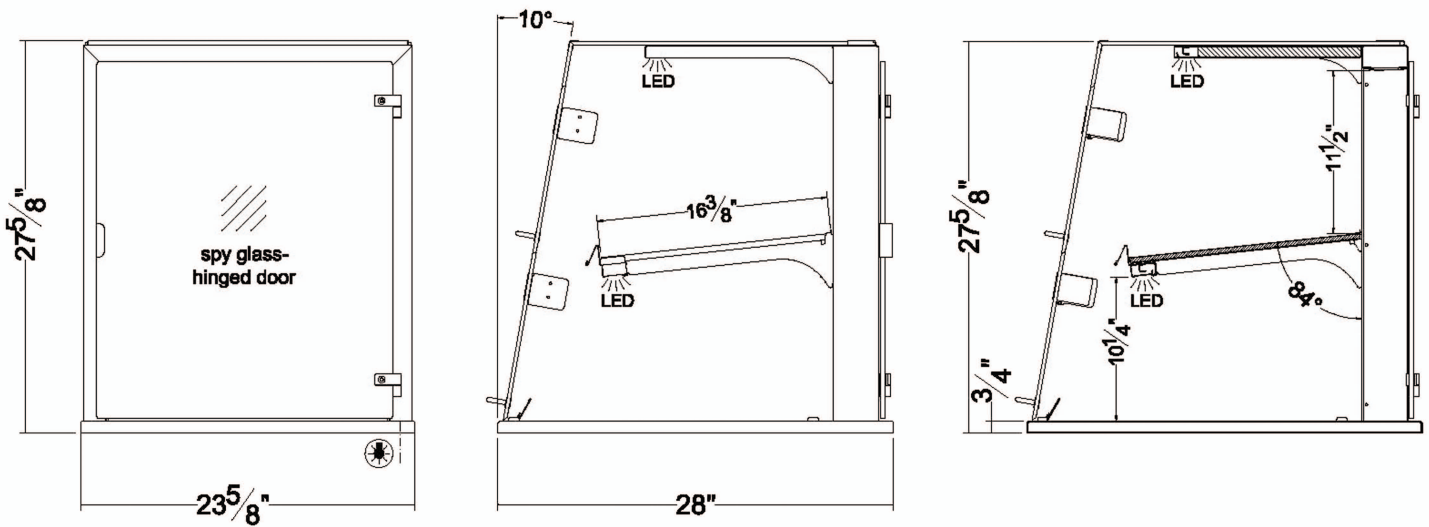
- Closed front
- Rear Door Locks

MODEL	L	D	H	VOLT	AMP	PLUG	WT
VIDD1-27-R-SL-FD- Snackee	23 5/8	28	27 5/8	115	0.2	L5-15P	308



Conforms to UL Standard 471,  
 and NSF Standard 7; Certified  
 To CSA Standard C22.2 No.120

**MODEL # VIDD1-27-R-SL-FD SNACKEE**



RPI in line with it's policy to continually improve it's product reserves the right to change materials and specifications without notice.

CALL TOLL FREE: 800-525-3692 (609-714-2330)

FAX: 609-714-2331 [www.rpiindustries.com](http://www.rpiindustries.com)

220 ROUTE 70, MEDFORD, NJ 08055