

# VIENNA DRY SELECT LINE

PROJECT: \_\_\_\_\_

ITEM: \_\_\_\_\_ QUANTITY: \_\_\_\_\_

## MODEL # VSDD-SQ SQUARED GLASS

### SPECIFICATIONS

The Vienna Series VSDD-SQ Dry Select Line is a slide-in dry display in our Vienna Select Series. Designed to slide into a counter with front stainless steel panel exposed. The merchandiser includes a glass top that tilts up using gas-springs for support and tilt-out front glass for easy cleaning. It also features stainless steel exterior, top canopy light, (1) fixed ambient glass shelf and an adjustable deck pan for slanted product display.

Can complete a dual temperature line-up next to our Vienna Select Series Cold Combo and Hot Select Line cases.



Available lengths:  18 3/4"

Available depths:  30 3/4"

Available heights:  50 7/8"

### STANDARD FEATURES

- Squared Glass Profile
- 304 Stainless Steel Exterior
- Tilt-Up Tempered Top Glass
- Tilt-Out Tempered Front Glass
- Tempered Glass Side Panels
- Open Rear Access Doors (Operator Side)
- Casters
- Top Canopy Light
- (1) Fixed Tempered Glass Shelf with Light
- Energy Efficient LED Lighting
- Adjustable Deck Pan to Convert to Slanted Display

### OPTIONAL FEATURES

- Integrations Modular Counter (Consult Factory)

MODEL	L	D	H	VOLT	AMP	PLUG	WT
VSDD1-20-R-SQ	18 3/4	30 3/4	50 7/8	115	0.4	5-15P	440



Conforms to UL Standard 471,  
and NSF Standard 7; Certified  
To CSA Standard C22.2 No.120

CALL TOLL FREE: 800-525-3692 (609-714-2330)

FAX: 609-714-2331 [www.rpiindustries.com](http://www.rpiindustries.com)

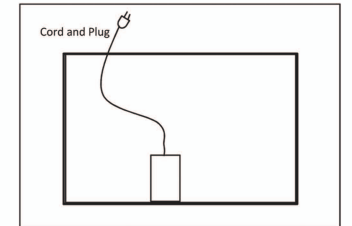
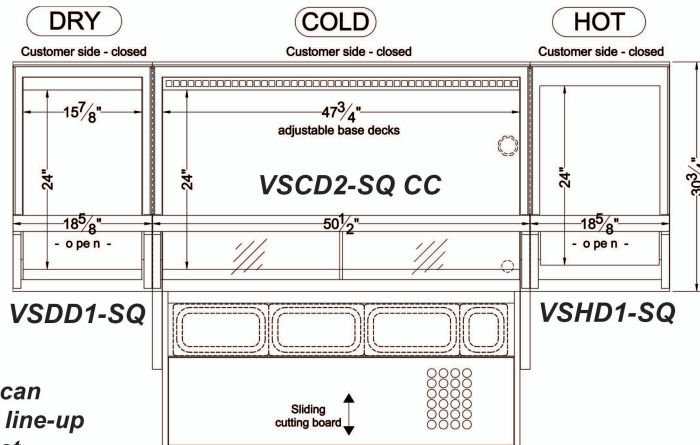
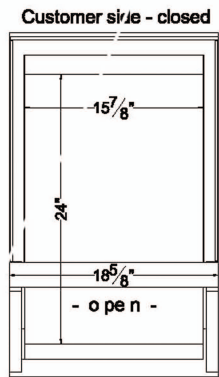
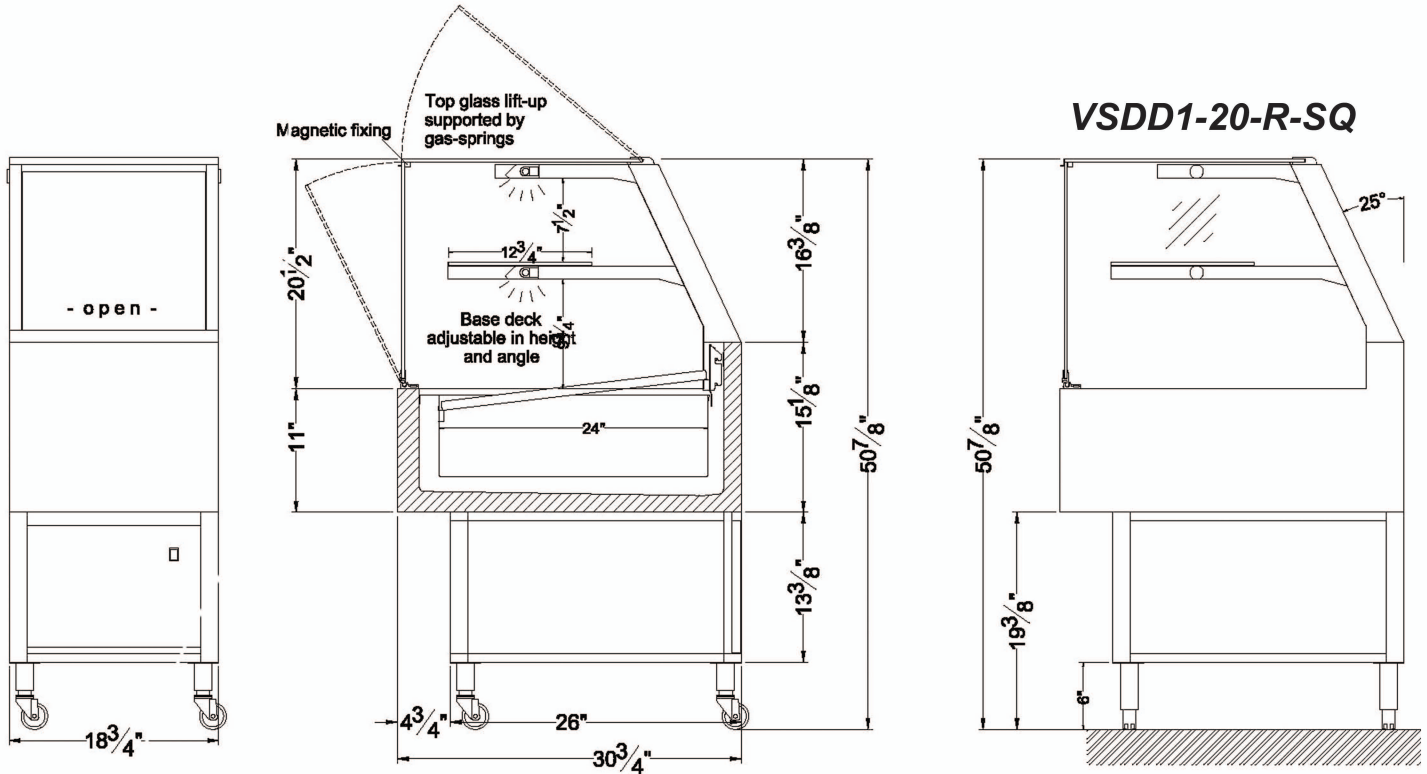
220 ROUTE 70, MEDFORD, NJ 08055

**RPI** INDUSTRIES, INC. v10\_13\_20

# VIENNA DRY SELECT LINE

## MODEL # VSDD-SQ SQUARED GLASS

PROJECT: \_\_\_\_\_  
TOLL FREE: 800-525-3692



**Vienna Select Dry series can complete a dual temperature line-up next to our Vienna Select Cold Combo and Hot Select Line cases!**

Any adverse field conditions will void warranty.

RPI in line with its policy to continually improve its products reserves the right to change materials and specifications without notice.

CALL TOLL FREE: 800-525-3692 (609-714-2330)

FAX: 609-714-2331 [www.rpiindustries.com](http://www.rpiindustries.com)

220 ROUTE 70, MEDFORD, NJ 08055

**RPI INDUSTRIES, INC.** v10\_13\_20