

VIENNA VARIO COLD COUNTER

PROJECT: _____
ITEM: _____ **QUANTITY:** _____

MODEL # VIAP4-0-R-SC-AT-VAR

SPECIFICATIONS

The Vienna series refrigerated Vario Food Counter is a slide-in combination unit featuring an operator serve display with refrigerated storage in the base. Front glass has the ability to lift up and retract into the case for self service application. Optimal air circulation over freshly prepared food presented in drop-in bowls (not included), with a frameless glass cover ensure proper temperature and energy efficiency. Compressor housing with rear breathing located on the side of the cabinet is designed to be built into a counter.

Available lengths: 76 1/8"

Available depths: 38 1/8"

Available heights: 49 3/4"



Unit shown in optional black powder coat finish

STANDARD FEATURES

- Self-Contained Refrigeration
- Stainless Steel Interior & Exterior
- Tempered Glass Front, Top & Sides
- Front Glass Lifiable For Self-Service
- Top Canopy LED Light
- Air cooled system with variable speed fan
- Lift-up Evaporator
- Programmable Digital Refrigeration Controller
- Side-Mounted Compressor Housing
- Refrigerated storage in base
- Rear Air Ventilation Kit
- Rear Work Ledge
- Adjustable Feet & Casters
- Built-in Condensate Evaporator System
- 5 Year Compressor Warranty
- ETL Listed In Accordance With UL 471
And NSF 7 Standards

OPTIONAL FEATURES

- Remote Refrigeration
- Powder coat exterior finish
- Removable acrylic night cover
- Custom bowl cut-out sizes (contact factory)
- Cut-outs for standard 1/1 hotel pans, in lieu of bowl cut-outs
- Adapter bars for smaller pans
 - Vertical Lengthwise Bar
 - Horizontal Cross Bar

SELF CONTAINED	L	D	H	HP	VOLT	AMPS	PLUG	WT	REFRIG.
VIAP4-0-R-SC-AT-VAR	76 1/8	38 1/8	49 3/4	1/2	208-230V	9.1	L14-20P	631	R448A

REMOTE	L	D	H	BTU	VOLT	AMPS	PLUG	WT	REFRIG.
VIAP4-0-R-RR-AT-VAR	66 1/2	38 1/8	49 3/4	2943	115	3.2	5-15P	580	R448A



Conforms to UL Standard 471,
and NSF Standard 7; Certified
To CSA Standard C22.2 No.120

CALL TOLL FREE: 800-525-3692 (609-714-2330)

FAX: 609-714-2331 www.rpiindustries.com

220 ROUTE 70, MEDFORD, NJ 08055

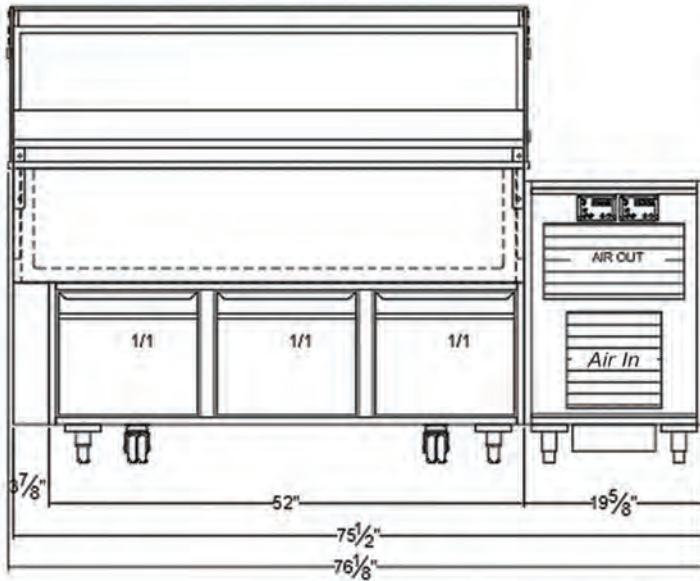
RPI INDUSTRIES, INC. v10_19_23

VIENNA VARIO COLD COUNTER

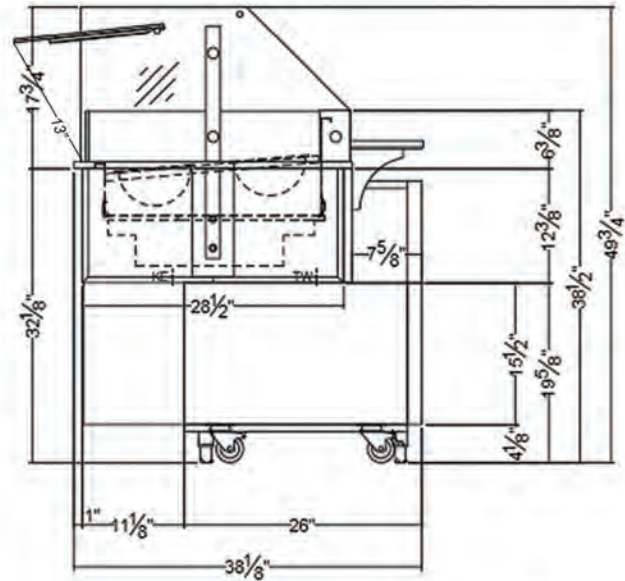
PROJECT: _____
TOLL FREE: 800-525-3692

MODEL # VIAP4-0-R-SC-AT-VAR

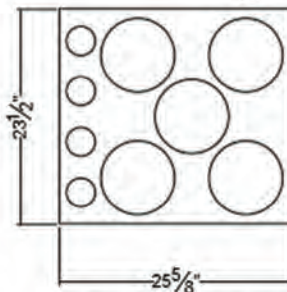
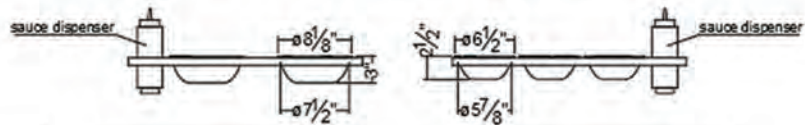
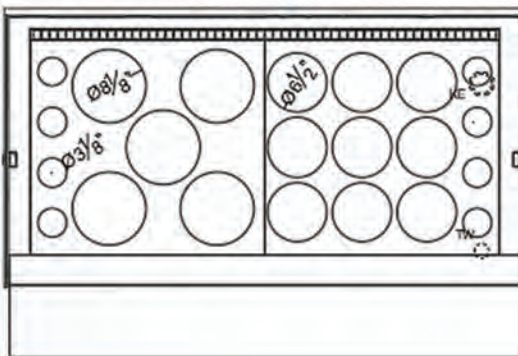
(operator side)



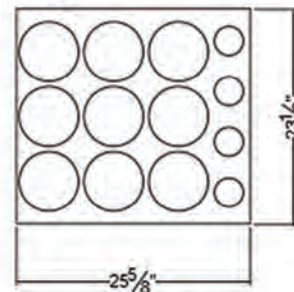
(side elevation left)



(floor plan)



Frame For 8" bowls



Frame For 6 1/2" bowls

Standard Cut-Outs Shown

1. Ventilation louvers, **MUST** be provided in the cabinet or counter and located so to provide full ventilation for the condensing unit.
 2. The VIAP4-0-R-SC-AT-VAR merchandiser is designed for use in locations where temperatures and humidity do not exceed 75 degrees and 55% R.H. Locate away from direct sunlight, rapid air currents and extreme temperature changes. Exposure to air currents from ceiling fans, air conditioners, ovens, etc. will disrupt the cases air current and refrigeration zone within. Any adverse field conditions stated above will void warranty.
- RPI in line with it's policy to continually improve it's product reserves the right to change materials and specifications without notice.

CALL TOLL FREE: 800-525-3692 (609-714-2330)
 FAX: 609-714-2331 www.rpiindustries.com
 220 ROUTE 70, MEDFORD, NJ 08055

RPI INDUSTRIES, INC. v10_19_23