

# VIENNA CALEO AIR TOWER

**PROJECT:** \_\_\_\_\_  
**ITEM:** \_\_\_\_\_ **QUANTITY:** \_\_\_\_\_

**MODEL # VIAP4-0-R-SC-AT-CAL**

## SPECIFICATIONS

The Vienna Caleo series Air Tower is a freestanding grab and go merchandiser with a raised, perforated rear tower to provide higher air coverage for taller product. A steady curtain of cold air circulates through the food zone enabling precise temperature control and maximum cold transfer to packaged product. Evaporator features a lift up mechanism that allows the inner pan to be easily rinsed clean. This unit is designed for a variety of applications; back to back, wall mounted, front line or as part of an island merchandiser with other Caleo models.

Available lengths:  55 7/8"

Available depths:  26"

Available heights:  29 1/4"



Unit shown in optional black powder coat finish and wood paneling

### STANDARD FEATURES

- Self-Contained Refrigeration
- Stainless Steel Interior & Exterior
- Removable Stainless Deck Pans For Cleaning
- 3-sided Air Dam Glass
- Air cooled system with variable speed fan
- Lift-up Evaporator
- Programmable Digital Refrigeration Controller
- Base With Front Breathing Kit
- Removable front louvered panels
- Adjustable Feet & Casters
- Hot Gas Evaporation System (self-contained only)
- 5 Year Compressor Warranty
- ETL Listed In Accordance With UL 471  
And NSF 7 Standards

### OPTIONAL FEATURES

- Remote Refrigeration (Floor Drain Required)
- Powder Coat Exterior Finish
- R448A Refrigerant
- Full Flex Series Panels
- Flex Series Panel Finish Options
  - Laminate
  - #4 Brushed Stainless Steel
  - #8 Mirror Polished Stainless
  - Wood Veneer

SELF CONTAONED	L	D	H	HP	VOLT	AMPS	PLUG	WT	REFRIG.
VIAP4-0-R-SC-AT-CAL	55 7/8	26	29 1/4	3/8	115	6.1	5-15P	420	R448A

REMOTE	L	D	H	BTU	VOLT	AMPS	PLUG	WT	REFRIG.
VIAP4-0-R-RR-AT-CAL	55 7/8	26	29 1/4	2014	115	0.5	5-15P	375	R448A

CALL TOLL FREE: 800-525-3692 (609-714-2330)

FAX: 609-714-2331 [www.rpiindustries.com](http://www.rpiindustries.com)

220 ROUTE 70, MEDFORD, NJ 08055

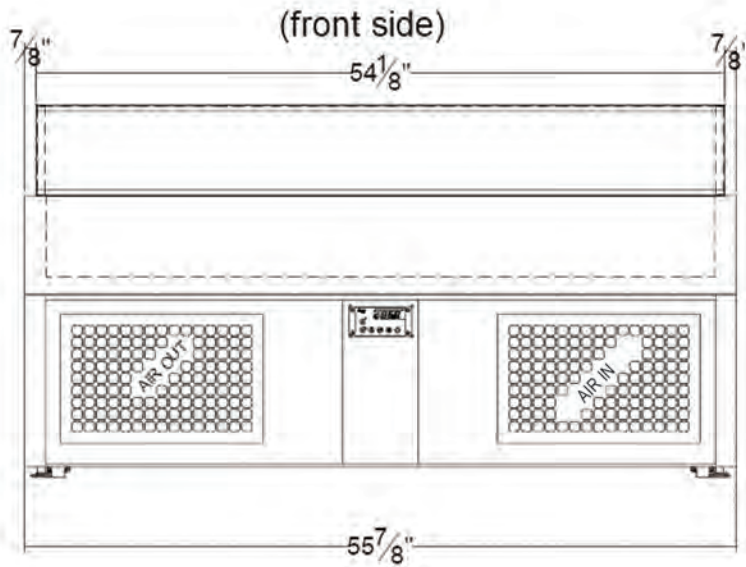


Conforms to UL Standard 471,  
and NSF Standard 7; Certified  
To CSA Standard C22.2 No.120

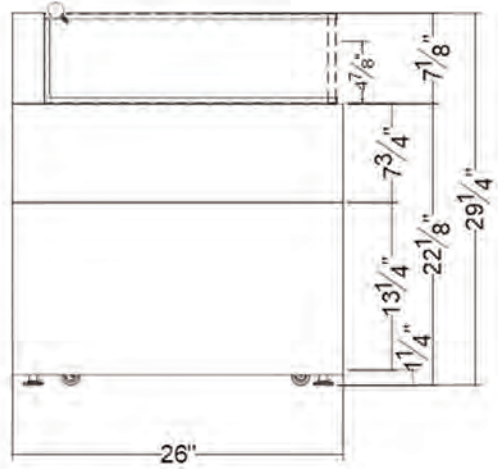
# VIENNA CALEO AIR TOWER

PROJECT: \_\_\_\_\_  
TOLL FREE: 800-525-3692

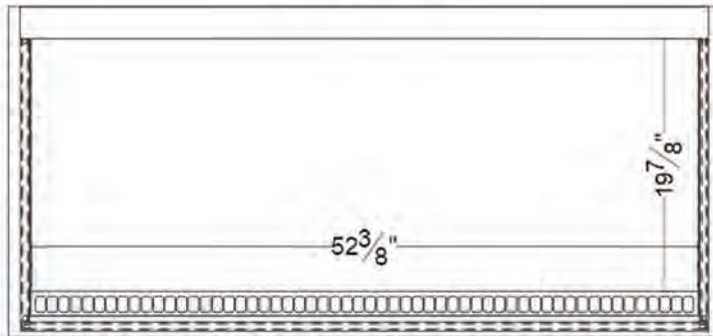
MODEL # VIAP4-0-R-SC-AT-CAL



(side elevation)



(floor plan)



1. Ventilation louvers, **MUST** be provided in the cabinet or counter and located so to provide full ventilation for the condensing unit.
2. The VIAP4-0-R-SC-AT-CAL merchandiser is designed for use in locations where temperatures and humidity do not exceed 75 degrees and 55% R.H. Locate away from direct sunlight, rapid air currents and extreme temperature changes. Exposure to air currents from ceiling fans, air conditioners, ovens, etc. will disrupt the cases air current and refrigeration zone within. Any adverse field conditions stated above will void warranty.

RPI in line with it's policy to continually improve it's product reserves the right to change materials and specifications without notice.

CALL TOLL FREE: 800-525-3692 (609-714-2330)

FAX: 609-714-2331 [www.rpiindustries.com](http://www.rpiindustries.com)

220 ROUTE 70, MEDFORD, NJ 08055

**RPI** INDUSTRIES, INC. v10\_19\_23