

# VIENNA HIGH TOWER

**PROJECT:** \_\_\_\_\_  
**ITEM:** \_\_\_\_\_ **QUANTITY:** \_\_\_\_\_

## MODEL # VIAP-HT

### SPECIFICATIONS

The Vienna Series VIAP-HT High Tower is a grab and go merchandiser designed for low profile applications. The open top and tiered shelves provide clear product visibility and easy reachability. The perforated mirrored stainless rear tower circulates air throughout the product zone allowing for a variety of packaged products to be displayed.

- Available lengths:  44 1/4"  
 Available depths:  31 3/8"  
 Available heights:  46 1/2"



Unit shown in optional black powder coat finish

### STANDARD FEATURES

- Self-contained refrigeration
- Stainless steel interior & exterior
- Mirrored interior rear panel
- Slanted tempered glass ends
- Tempered front air dam glass
- (2) Tempered glass shelves
- LED lighting
- Drop-in base with front breathing kit
- Lift up evaporator
- Air cooled system with variable speed fan
- Programmable digital refrigeration controller
- Hot Gas Evaporation System (self-contained)
- 5 year compressor warranty
- ETL listed in accordance with UL 471 & NSF 7 standards

### OPTIONAL FEATURES

- Remote refrigeration
- Powder coat interior & exterior finish
- Removable acrylic night cover
- Rear breathing kit (for front line units)
- Pro style base for freestanding unit
- Integrated modular millwork base unit

SELF CONTAINED MODEL	L	D	H	HP	VOLT	AMPS	PLUG	WT	REFRIG.
VIAP3-0-R-SC-HT	44 1/4	31 3/8	46 1/2	7/8	208-230V	9.5	L14-20P	475	R448A

REMOTE	L	D	H	BTU	VOLT	AMPS	PLUG	WT	REFRIG.
VIAP3-0-R-RR-HT	44 1/4	31 3/8	46 1/2	4885	115V	1.0	5-15P	430	R448A

CALL TOLL FREE: 800-525-3692 (609-714-2330)

FAX: 609-714-2331 [www.rpiindustries.com](http://www.rpiindustries.com)

220 ROUTE 70, MEDFORD, NJ 08055

**RPI INDUSTRIES, INC.** v10\_19\_23



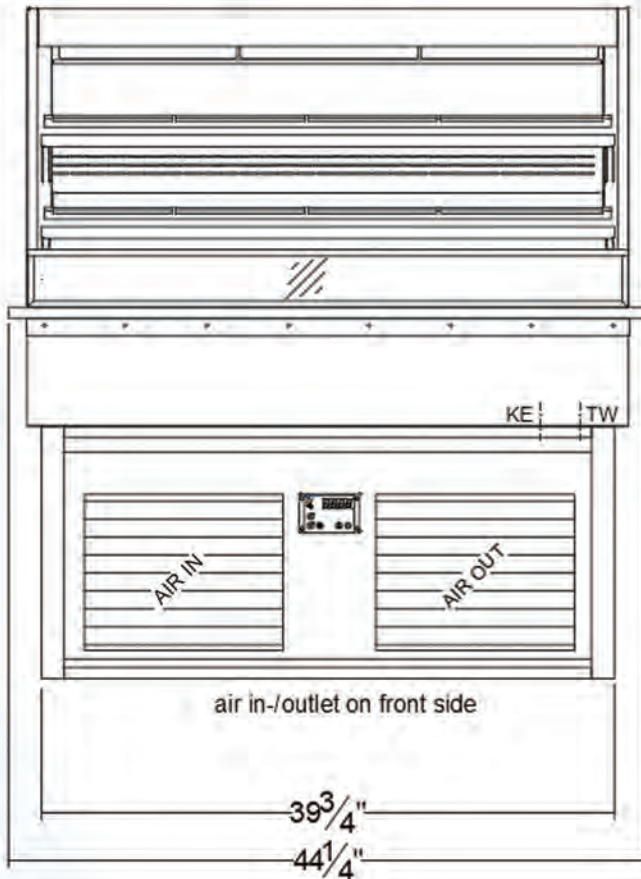
Conforms to UL Standard 471, and NSF Standard 7; Certified To CSA Standard C22.2 No.120

# VIENNA HIGH TOWER

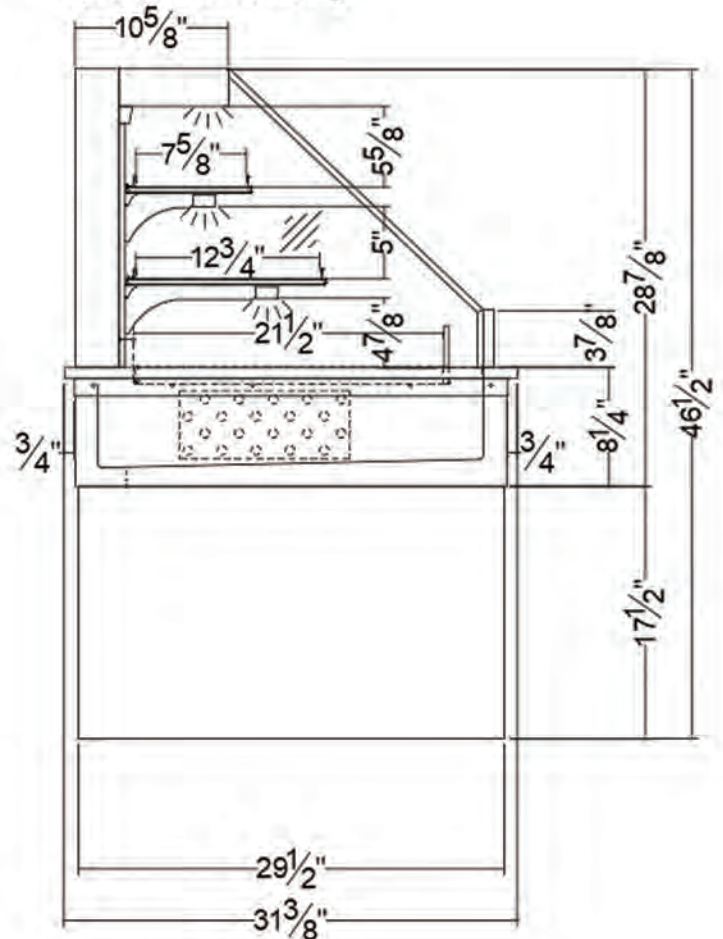
PROJECT: \_\_\_\_\_  
TOLL FREE: 800-525-3692

MODEL # VIAP-HT

(front side)



(side elevation)



1. Ventilation louvers, **MUST** be provided in the cabinet or counter and located so to provide full ventilation for the condensing unit.
2. The VIAP-HT merchandiser is designed for use in locations where temperatures and humidity do not exceed 75 degrees and 55% R.H. Locate away from direct sunlight, rapid air currents and extreme temperature changes. Exposure to air currents from ceiling fans, air conditioners, ovens, etc. will disrupt the cases air current and refrigeration zone within. Any adverse field conditions stated above will void warranty.

RPI in line with it's policy to continually improve it's product reserves the right to change materials and specifications without notice.

CALL TOLL FREE: 800-525-3692 (609-714-2330)

FAX: 609-714-2331 [www.rpiindustries.com](http://www.rpiindustries.com)

220 ROUTE 70, MEDFORD, NJ 08055

**RPI** INDUSTRIES, INC. v10\_19\_23