

MODEL # VICD4-20-R-SQ-SC-INS-PAP

SPECIFICATIONS

The Vienna Series VICD-PAP Papilio Cold Service is a self-contained, freestanding service display on lockable casters, which allows for flexibility with operator's changing needs. This combination display with refrigerated lower deck and ambient upper shelf is the ultimate visual presentation with frameless glass and LED lighting. A convenience package including cutting board, knife scraper and a 1/9 pan is included as a standard to the operator side for complete versatility while optional merchandising accessory racks can be added to customer side or ends to compliment the design and increase ambient grab and go sales.

Available lengths: 51 7/8"

Available depths: 32 1/8"

Available heights: 48 1/2"



Image is shown with optional paper holder, merchandising rack, black powder coat finish and millwork paneling.

STANDARD FEATURES

- Self-contained refrigeration
- Stainless steel interior & exterior
- Removable deck pans for easy cleaning
- Tempered glass top and front
- Frameless insulated glass ends
- (1) tempered glass ambient shelf
- LED Lighting
- Front and rear air dam glass with baffle
- Air cooling system with variable speed fan
- Programmable digital refrigeration controller
- Rear breathing kit
- Operator accessories (cutting board, knife scraper, 1/9 pan)
- 5 year compressor warranty
- Hot gas evaporation system (self-contained)
- ETL listed in accordance with UL 471 & NSF 7 standards
- Locking casters

OPTIONAL FEATURES

- Powder coat finish
- Removable acrylic night cover
- Stainless steel merchandising racks (ends)
- Stainless steel merchandising rack (front)
- Paper holder (operator side)
- Custom millwork paneling (contact factory)

MODEL	L	D	H	VOLT	AMPS	HP	PLUG	WT	REFRIG.
VICD4-20-R-SQ-SC-INS-PAP	51 7/8	32 1/8	48 1/2	115V	7.5	1/2	5-15P	352	452A



Conforms to UL Standard 471,
and NSF Standard 7; Certified
To CSA Standard C22.2 No.120



CALL TOLL FREE: 800-525-3692 (609-714-2330)

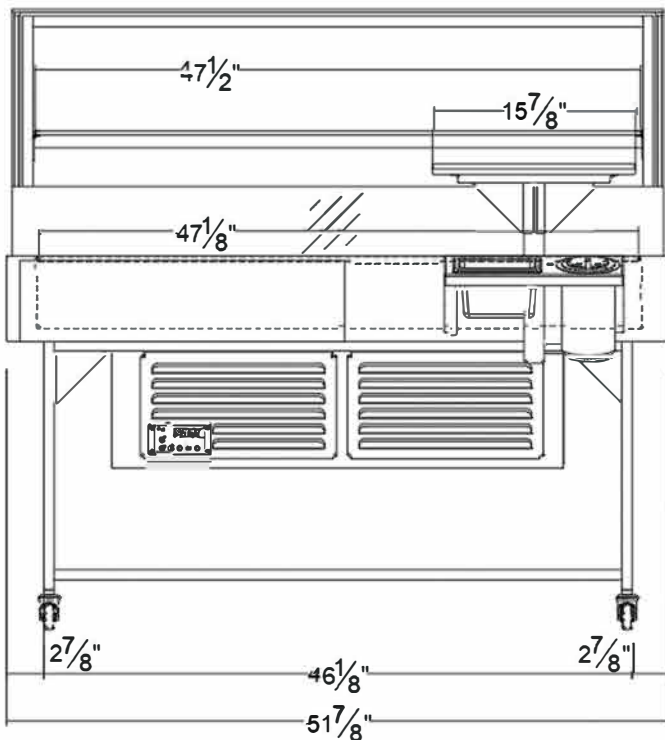
FAX: 609-714-2331 www.rpiindustries.com

220 ROUTE 70, MEDFORD, NJ 08055

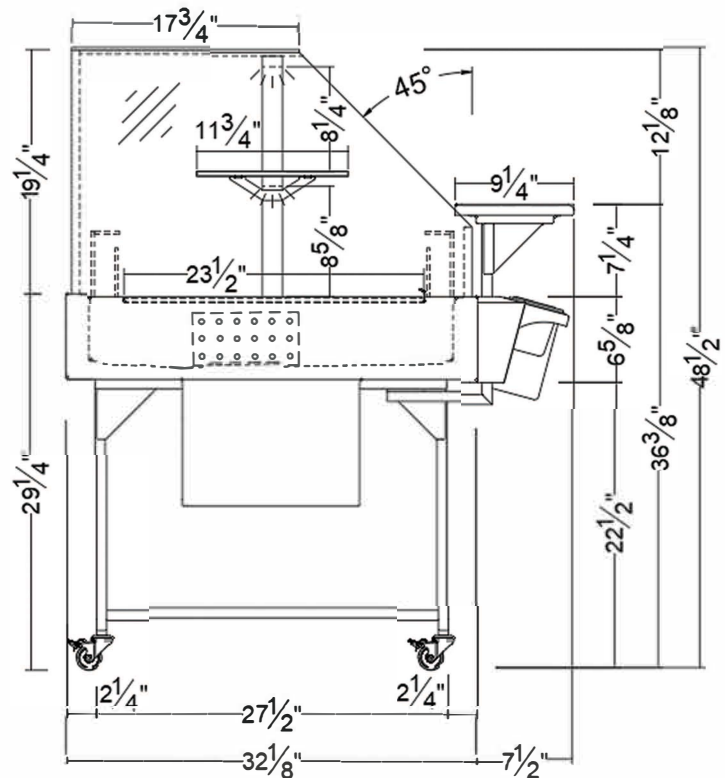
RPI INDUSTRIES, INC. v12_2_20

MODEL # VICD4-20-R-SQ-SC-INS-PAP

(operator side)



(side elevation)



Unit shown with optional paper holder

[Click here to access KCL / Revit files](#)

1. Ventilation louvers are to remain unobstructed so as to provide full ventilation for the condensing unit."

2. The VICD4-20-R-SQ-SC-INS-PAP merchandiser is designed for use in locations where temperatures and humidity do not exceed 75 degrees and 55% R.H. Locate away from direct sunlight, rapid air currents and extreme temperature changes. Exposure to air currents from ceiling fans, air conditioners, ovens, etc. will disrupt the cases air current and refrigeration zone within. Any adverse field conditions stated above will void warranty.

RPI in line with it's policy to continually improve it's product reserves the right to change materials and specifications without notice.

CALL TOLL FREE: 800-525-3692 (609-714-2330)

FAX: 609-714-2331 www.rpiindustries.com

220 ROUTE 70, MEDFORD, NJ 08055