

## MODEL # VSHD



## SPECIFICATIONS

The Vienna Series VSHD is a slide-in hot display in our Vienna Select Series. Designed to slide into a counter with front stainless steel panel exposed. This merchandiser includes glass top that tilts up using gas-springs for support and tilt-out front glass for easy cleaning. It also features stainless steel exterior, top light and infrared heater and sliding rear doors.

Available in 2 different glass profiles: Square or Slanted.

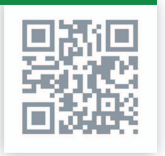
- Available lengths:  34 5/8"  50 5/8"  
 Available depths:  40 1/8"  
 Available heights:  42 1/2"

## STANDARD FEATURES

- 304 Stainless Steel Exterior
- Tempered Tilt-Up Top Glass
- Tempered Tilt-Out Front Glass
- Tempered Glass Side Panels
- Acrylic Glass Rear Sliding Doors
- Rear Cutting Board
- Top Canopy Light
- Infrared Heating Lamp
- Fixed Black Glass Heating Plate with Variable Temperature Control
- ETL Listed in Accordance with UL 197 and NSF 4 Standards

## OPTIONAL FEATURES

- Integrations Modular Counter (Consult Factory)
- Adjustable Legs & Casters (Slide-In Style Units)
  - 6" Legs  8" Legs  6" Casters

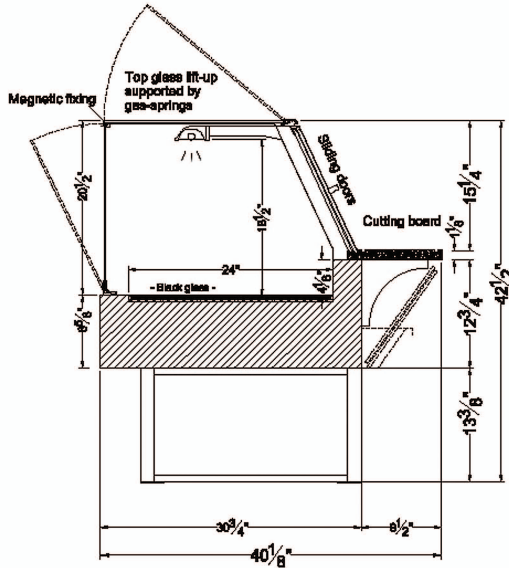


Conforms to UL Standard 197, and NSF Standard 4; Certified To CSA Standard C22.2 No.109

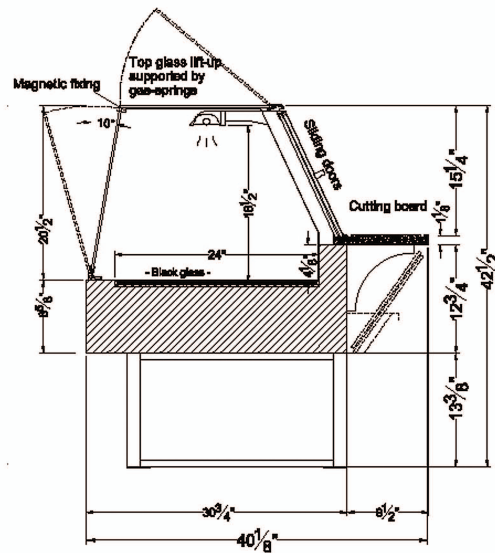
MODEL	L	D*	H	VOLT	AMP	PLUG	WT
VSHD2-20-R	34 5/8	40 1/8	42 1/2	208-240	3.77	6-20P	385
VSHD3-20-R	50 5/8	40 1/8	42 1/2	208-240	7.55	6-20P	440

\* Depth includes rear cutting board. Cutting board can be removed, to fit through entrance, and be reinstalled once in place.

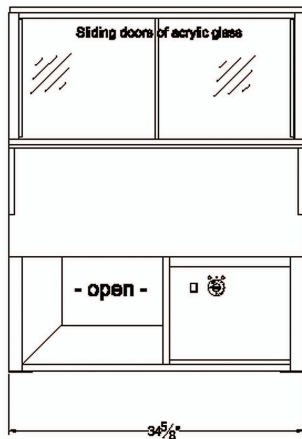
## MODEL # VSHD



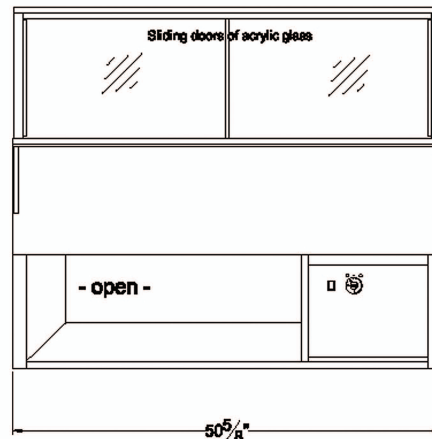
**VSHD2-20-R-SQ**



**VSHD2-20-R-SL**

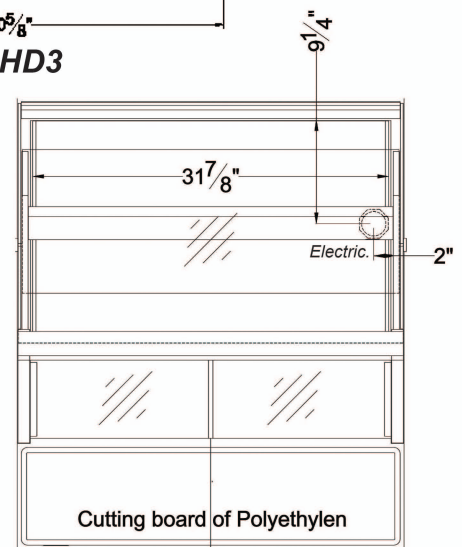


**VSHD2**



**VSHD3**

### Electrical locations



Any adverse field conditions will void warranty.

RPI in line with its policy to continually improve its products reserves the right to change materials and specifications without notice.

CALL TOLL FREE: 800-525-3692 (609-714-2330)

FAX: 609-714-2331 [www.rpiindustries.com](http://www.rpiindustries.com)

220 ROUTE 70, MEDFORD, NJ 08055