

MODEL # VIAP-SWITCH

SPECIFICATIONS

A standard, with a **twist!** The Vienna air pan **switch** is pure drop-in style with option of a **"flip-of-a-switch"** to change the unit from refrigerated air over pan to a heated unit. Dual controls are easily mounted at the rear of the unit.

Available lengths: 30 1/8" 42 7/8" 55 3/4"
 Available depths: 27 3/8"
 Available heights (SC): 25 3/4"
 Available heights (RR): 15 3/8"



UNIT SHOWN WITH OPTIONAL POWDER COAT FINISH

STANDARD FEATURES

- Self-Contained Refrigeration
- 304 Stainless Steel Exterior
- Adjustable Deck Pan to Convert to Slanted Display with Black Glass
- Easy Removable Deck Pans for Cleaning
- Programmable Digital Refrigeration Controller
- Forced Air Cooling System
- Lift-Up Evaporator
- ETL Listed in Accordance with UL 471 and NSF 7 Standards
- ETL Listed in Accordance with UL 197 and NSF 4 Standards
- Environmentally Safe Refrigerant
- 5 Year Compressor Warranty
- Floor Drain Required

OPTIONAL FEATURES

- Remote Refrigeration
- Powder Coat Finish
- Integrations Modular Counter (Consult Factory)
- Heated Sneeze Guards (**Recommended**, Consult Factory)
- Adapter Bars for Standard Full-Size Pans (Pans Not Included)
- Front Air Ventilation Kit for Units Against Wall *
- Rear Air Ventilation Kit *
- Hot Gas Evaporation (self-contained only)
- Condensate Evaporator Pan (Consult Factory)

***FRONT / REAR AIR VENTILATION KITS WILL INCREASE THE TOTAL HEIGHT OF CHOSEN UNIT BY 1 7/8"**



Conforms to UL Standard 197, and NSF Standard 4; Certified To CSA Standard C22.2 No.109
 Conforms to UL Standard 471, and NSF Standard 7; Certified To CSA Standard C22.2 No.120

SELF CONTAINED	L*	D	H	HP	VOLT	PLUG	AMPS	WT	REFRIG.
VIAP2-0-R-SC-SWITCH	30 1/8"	27 3/8"	25 3/4"	1/4	115/208-230V 4-wire	L14-20P	4.15	341	R448A
VIAP3-0-R-SC-SWITCH	42 7/8"	27 3/8"	25 3/4"	1/3	115/208-230V 4-wire	L14-20P	5.66	441	R448A
VIAP4-0-R-SC-SWITCH	55 3/4"	27 3/8"	25 3/4"	3/8	115/208-230V 4-wire	L14-20P	6.09	541	R448A

REMOTE	L*	D	H	BTU	VOLT	PLUG	AMPS	WT	REFRIG.
VIAP2-0-R-RR-SWITCH	30 1/8"	27 3/8"	15 3/8"	1263	115/208-230V 4-wire	L14-20P	4.15	291	R448A
VIAP3-0-R-RR-SWITCH	42 7/8"	27 3/8"	15 3/8"	1638	115/208-230V 4-wire	L14-20P	5.66	391	R448A
VIAP4-0-R-RR-SWITCH	55 3/4"	27 3/8"	15 3/8"	2048	115/208-230V 4-wire	L14-20P	6.09	591	R448A

1. A 1 1/8" diameter drain is provided. The drain **MUST** be connected to a floor drain or storage container **AT TIME OF INSTALLATION**.
2. Ventilation louvers **MUST** be provided in the cabinet or counter and located so to provide full ventilation for the condensing unit. Refrigeration system is deigned to flow from rear to front. Unobstructed air flow **MUST** be maintained to ensure unit performance and maintain warranty.
3. The VIAP SWITCH merchandiser is designed for use in locations where temperatures and humidity do not exceed 75 degrees and 55% R.H. Locate away from direct sunlight, rapid air currents and extreme temperature changes. Exposure to air currents from ceiling fans, air conditioners, ovens, etc. will disrupt the cases air current and refrigeration zone within. Any adverse field conditions stated above will void warranty.

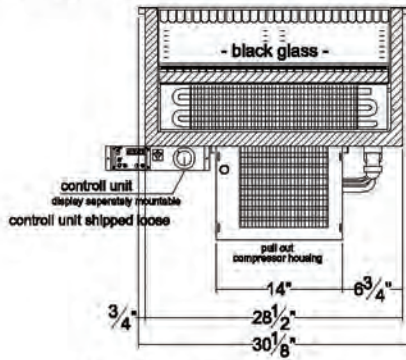
RPI in line with it's policy to continually improve it's product reserves the right to change materials and specifications without notice.

CALL TOLL FREE: 800-525-3692 (609-714-2330)

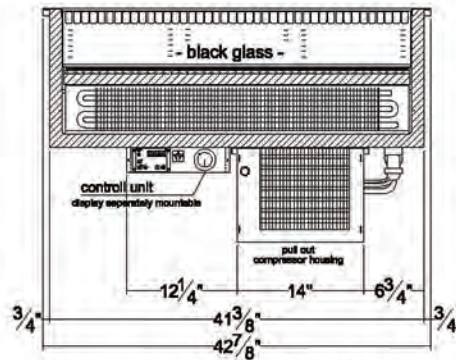
FAX: 609-714-2331 www.rpiindustries.com

220 ROUTE 70, MEDFORD, NJ 08055

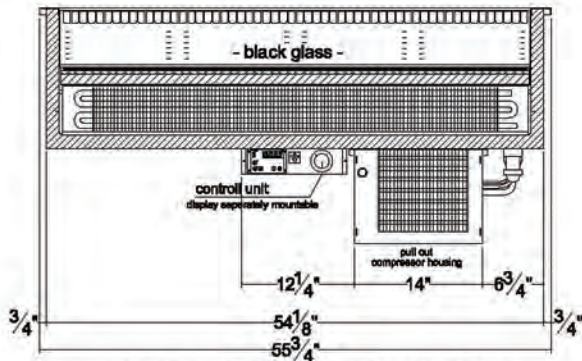
MODEL # VIAP-SWITCH



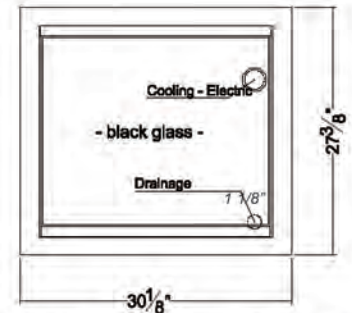
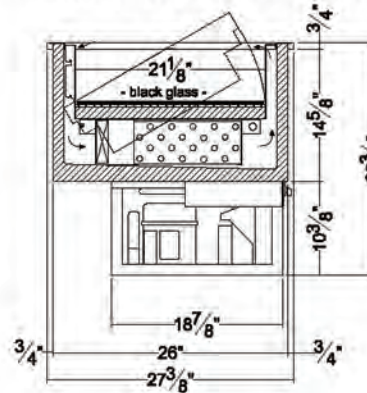
VIAP2-0-R-SC-SWITCH



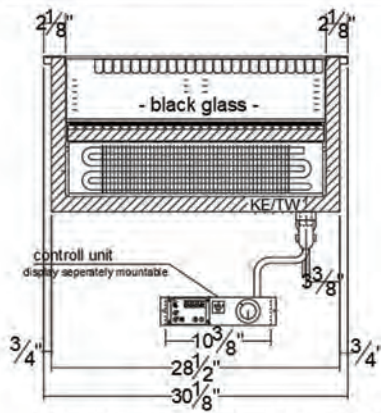
VIAP3-0-R-SC-SWITCH



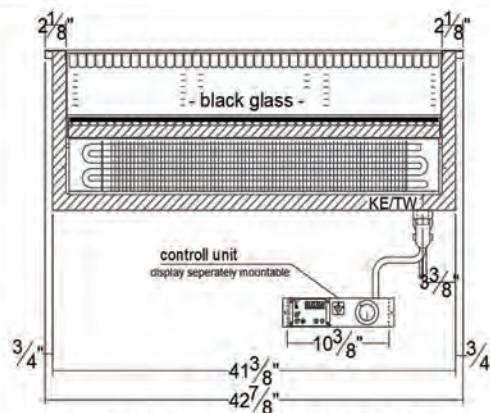
VIAP4-0-R-SC-SWITCH



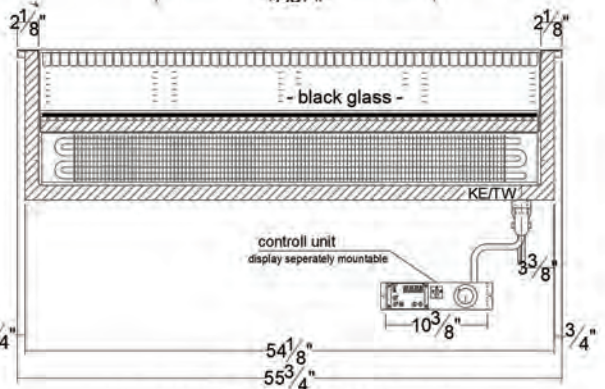
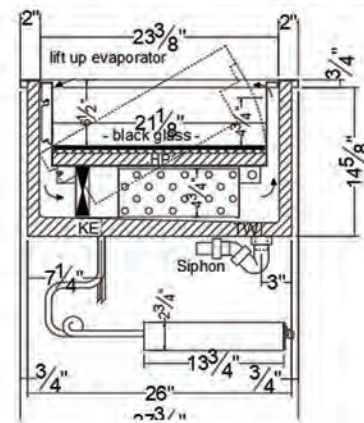
Electrical & Plumbing locations



VIAP2-0-R-RR-SWITCH



VIAP3-0-R-RR-SWITCH



VIAP4-0-R-RR-SWITCH

**! Heat operation will require heated sneeze guard
Consult factory for additional information**