

VIENNA NARROW COUNTER TOP HEATED

PROJECT: _____
ITEM: _____ **QUANTITY:** _____

MODEL # VIHD1-20-R-SQ-CC-CT

SPECIFICATIONS

The Vienna Series Narrow VIHD-CT is a compact heated air style merchandiser for countertop applications, ideal for locations with limited space. Rear mirrored doors are removable for peak service times and front glass has the ability to lift up and retract back into the case to change from operator serve to customer grab and go to meet operator's changing needs and accommodate a variety of food product offerings. Units are standard with stainless steel finish, dry heat and heat-resistant LED lighting. Temperature is adjustable in a range of 150 to 185°F

- Available lengths:** 23 1/4"
Available depths: 34"
Available heights: 23 1/4"



Shown with accessory pans (provided by others)

STANDARD FEATURES

- Stainless steel interior & exterior
- Squared tempered glass profile
- Front glass lifts & retracts for self-service
- Tempered black glass heating plate
- Infrared heat lamp
- Heat resistant LED lighting
- Removable hinged rear door with mirrored interior
- Rear mounted temperature controller
- Cord & plug
- ETL listed in accordance with UL 197 & NSF 4 standards

OPTIONAL FEATURES

- Powder coat (exterior finish)

MODEL	L	D	H	VOLT	AMPS	PLUG	WT
VIHD1-20-R-SQ-CC-CT	23 1/4	34	23 1/4	208-230	6.52	6-20P	169



Conforms to UL Standard 471,
and NSF Standard 7; Certified
To CSA Standard C22.2 No. 120



CALL TOLL FREE: 800-525-3692 (609-714-2330)

FAX: 609-714-2331 www.rpiindustries.com

220 ROUTE 70, MEDFORD, NJ 08055

RPI INDUSTRIES, INC. v6_2_21

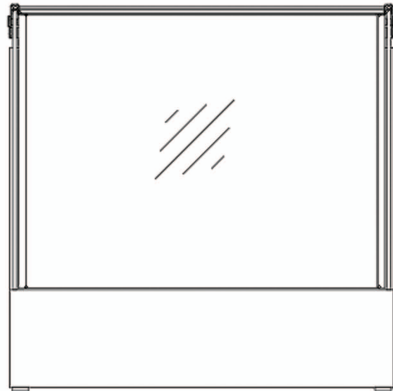
VIENNA NARROW COUNTER TOP HEATED

PROJECT: _____

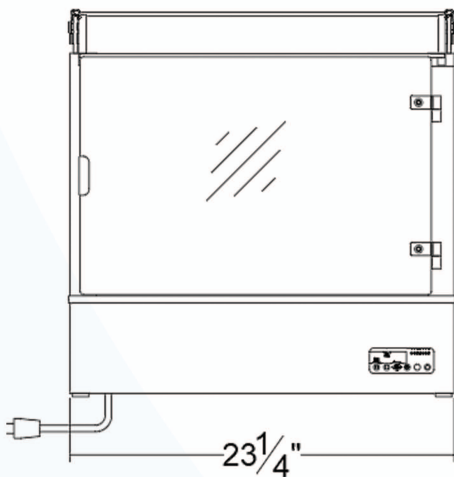
TOLL FREE: 800-525-3692

MODEL # VIHD1-20-R-SQ-CC-CT

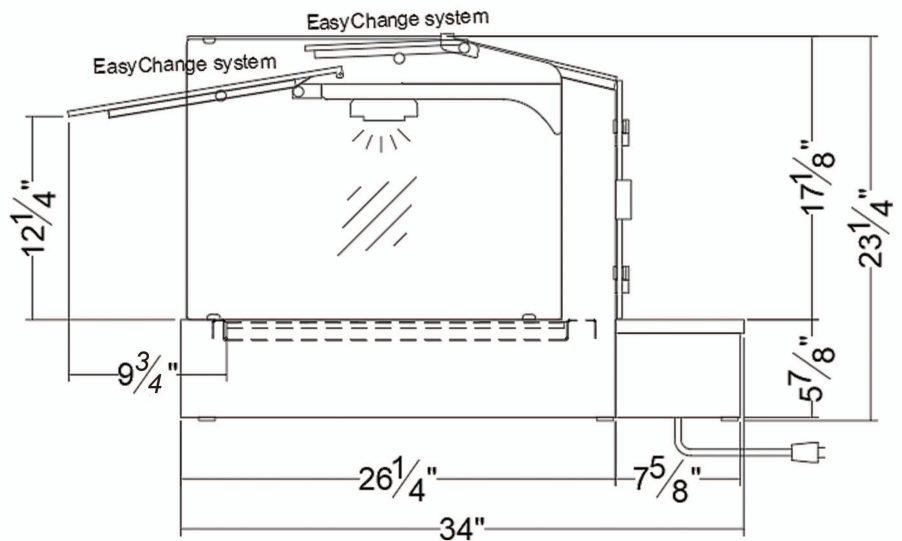
(customer side)



(operator side)



(side elevation)



[Click here to access KCL / Revit files](#)

CALL TOLL FREE: 800-525-3692 (609-714-2330)

FAX: 609-714-2331 www.rpiindustries.com

220 ROUTE 70, MEDFORD, NJ 08055

RPI INDUSTRIES, INC. v6_2_21