

## MODEL # VICD-SQ SQUARED GLASS

### SPECIFICATIONS

The Vienna Series VICD-SQ INS Slide-in or Drop-in is a full-service refrigerated display merchandiser, featuring a squared glass profile with insulated glass front, top and side panels. Unit is available in choice of three heights with hinged rear see-through access doors. When being used as a "slide-in" please advise if counter height is 34" or 36". Optional 6" or 8" stainless steel adjustable legs or casters are available for slide-in style models.

- Available lengths:**  31 1/2"  44 3/8"  57 1/8"  
**Available depths:**  27 3/8"  
**Available (above counter) heights:**  21 1/4"  28"  34 5/8"



### STANDARD FEATURES

- Squared Glass Profile
- 304 Stainless Steel Exterior
- Insulated Glass Top and Side Panels
- Hinged Rear See-Through Access Doors
- Fully adjustable Tempered Glass Shelves (tiltable to 7 degrees)
- Tilt-Out Insulated Front Glass
- Easy Removable Deck Pans for Cleaning
- Programmable Digital Refrigeration Controller
- Self-Contained Refrigeration with Slide-In Base
- Rear Air Ventilation Kit
- Energy Efficient LED Lighting (Plug-In)
- Fan Assisted Cooling System
- Lift-Up Evaporator
- ETL Listed in Accordance with UL 471 and NSF 7 Standards
- Environmentally Safe Refrigerant
- 5 Year Compressor Warranty
- Condensate Pan Included (self contained only)

### OPTIONAL FEATURES

- Flantastic Coil (For Increase Natural Humidity)
- Drop-In Style (Consult Factory for Additional Information)
- Remote Refrigeration
- Powder Coat Finish
- Front Air Ventilation
- Rear Cutting Board
- Mirrored Rear Access Doors
- Rear Sliding Access Doors
- Rear Door Locks
- Integrations Modular Counter (Consult Factory)
- Adjustable Legs & Casters (Slide-In Units)
  - 6" Legs  8" Legs
  - 6" Casters

#### New Optional Feature: Flantastic Coil

Advanced technology with evaporative cooling system that adds natural humidification for increase in product freshness

MODEL	L	D	H	HP	VOLT	AMPS	PLUG	WT	REFRIG.	DROP IN C/O SIZE	SLIDE IN C/O SIZE
VICD2-20-R-SQ-SC INS	31 1/2	27 v3/8	21 1/4	1/4	115	6.6	5-15P	508	R448A	29 1/4 x 26 3/8	29 1/4 x VARIES
VICD3-20-R-SQ-SC INS	44 3/8	27 3/8	21 1/4	1/3	115	6.0	5-15P	556	R448A	42 1/8 x 26 3/8	42 1/8 x VARIES
VICD4-20-R-SQ-SC INS	57 1/8	27 3/8	21 1/4	1/3	115	6.4	5-15P	629	R448A	54 7/8 x 26 3/8	54 7/8 x VARIES
VICD2-27-R-SQ-SC INS	31 1/2	27 3/8	28	1/3	115	6.0	5-15P	532	R448A	29 1/4 x 26 3/8	29 1/4 x VARIES
VICD3-27-R-SQ-SC INS	44 3/8	27 3/8	28	1/3	115	6.4	5-15P	581	R448A	42 1/8 x 26 3/8	42 1/8 x VARIES
VICD4-27-R-SQ-SC INS	57 1/8	27 3/8	28	3/8	115	8.2	5-15P	653	R448A	54 7/8 x 26 3/8	54 7/8 x VARIES
VICD2-34-R-SQ-SC INS	31 1/2	27 3/8	34 5/8	3/8	115	7.6	5-15P	581	R448A	29 1/4 x 26 3/8	29 1/4 x VARIES
VICD3-34-R-SQ-SC INS	44 3/8	27 3/8	34 5/8	3/8	115	8.1	5-15P	629	R448A	42 1/8 x 26 3/8	42 1/8 x VARIES
VICD4-34-R-SQ-SC INS	57 1/8	27 3/8	34 5/8	1/2	115	9.9	5-15P	702	R448A	54 7/8 x 26 3/8	54 7/8 x VARIES



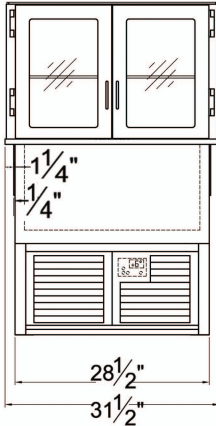
Conforms to UL Standard 471, and NSF Standard 7; Certified To CSA Standard C22.2 No.120

# VIENNA COLD DISPLAY SQUARED

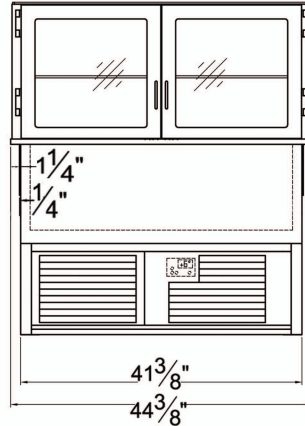
PROJECT: \_\_\_\_\_

TOLL FREE: 800-525-3692

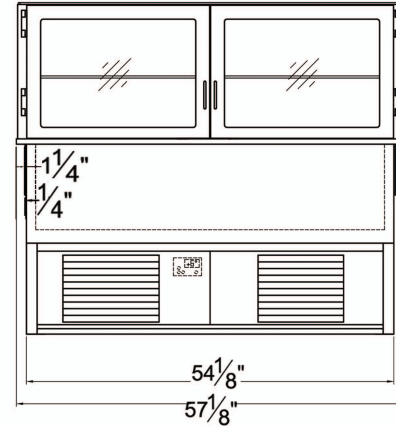
## MODEL # VICD-SQ SQUARED GLASS



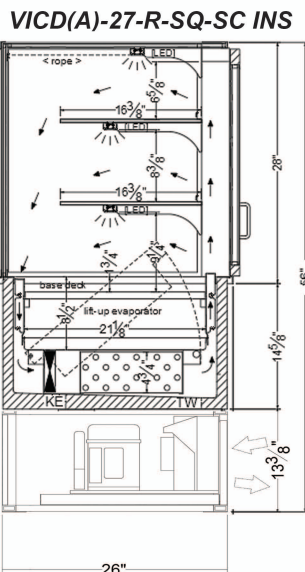
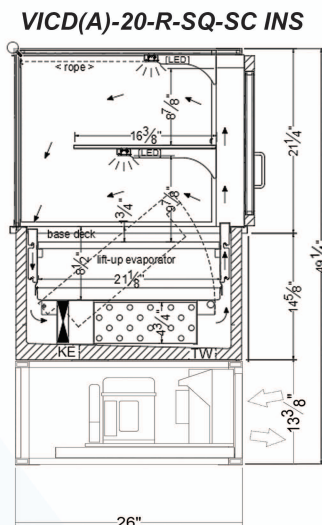
VICD2(A)-R-SQ-SC INS



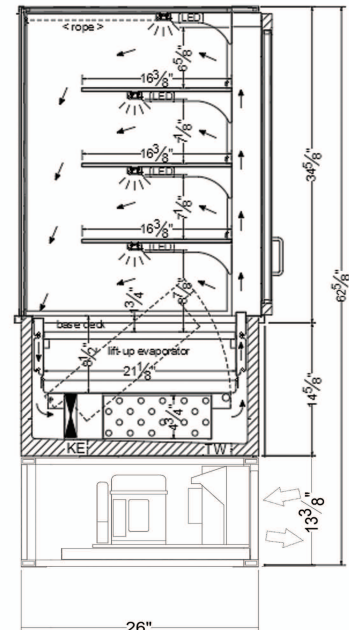
VICD3(A)-R-SQ-SC INS



VICD4(A)-R-SQ-SC INS



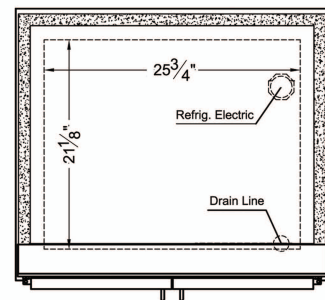
VICD(A)-34-R-SQ-SC INS



LARGEST DIMENSION REPRESENTS OUTSIDE FLANGE

1. Ventilation louvers, **MUST** be provided in the cabinet or counter and located so to provide full ventilation for the condensing unit.
2. The VICD-SQ INS merchandiser is designed for use in locations where temperatures and humidity do not exceed 75 degrees and 55% R.H. Locate away from direct sunlight, rapid air currents and extreme temperature changes. Exposure to air currents from ceiling fans, air conditioners, ovens, etc. will disrupt the cases air current and refrigeration zone within. Any adverse field conditions stated above will void warranty.

RPI in line with it's policy to continually improve it's product reserves the right to change materials and specifications without notice.



Electrical & Plumbing locations

CALL TOLL FREE: 800-525-3692 (609-714-2330)

FAX: 609-714-2331 [www.rpiindustries.com](http://www.rpiindustries.com)

220 ROUTE 70, MEDFORD, NJ 08055

**RPI** INDUSTRIES, INC. v10\_19\_23