

MODEL # VIAS-SQ CT SQUARED GLASS

SPECIFICATIONS

The Vienna Series VIAS-SQ CT is a refrigerated self-service air screen style unit designed for counter top application, featuring insulated square glass top and glass side panels. Units are standard in stainless steel with an adjustable shelf, LED lights and sliding rear see-through access doors.



Available lengths: 31 1/2"
Available depths: 32 5/8" (self-contained) 23 5/8" (remote)
Available heights: 28 3/8"

STANDARD FEATURES

- Self-Contained Refrigeration
- Squared Glass Profile
- 304 Stainless Steel Exterior
- Tempered lift-up top glass
- Insulated Side Glass Panels
- Sliding Rear See-Through Access Doors
- (1) Adjustable Glass Shelf with LED Light
- Easy Removable Deck Pan for Cleaning
- Programmable Digital Refrigeration Controller
- Fan Assisted Cooling System
- Rear Breathing
- Lift-Up Evaporator
- 6' Cord and Plug
- ETL Listed in Accordance with UL 471 and NSF 7 Standards
- Environmentally Safe Refrigerant
- 5 Year Compressor Warranty
- Floor Drain Required

OPTIONAL FEATURES

- Remote Refrigeration
- Powder Coat Finish
- Mirrored Sliding Rear Access Doors
- Rear Door Locks
- Removable Acrylic Locking Night Cover

| Self Contained | L | D | H | HP | VOLT | AMP | PLUG | WT | REFRIG. |
|---------------------|--------|--------|--------|-----|------|-----|-------|-----|---------|
| VIAS2-20-R-SQ-SC-CT | 31 1/2 | 32 5/8 | 28 3/8 | 1/2 | 115 | 3.8 | 5-15P | 440 | R448A |

| Remote | L | D | H | BTU | VOLT | AMP | PLUG | WT | REFRIG. |
|---------------------|--------|--------|--------|------|------|-----|-------|-----|---------|
| VIAS2-20-R-SQ-RR-CT | 31 1/2 | 23 5/8 | 28 3/8 | 2560 | 115 | 0.8 | 5-15P | 425 | R448A |

*Btu/h @14°F evap



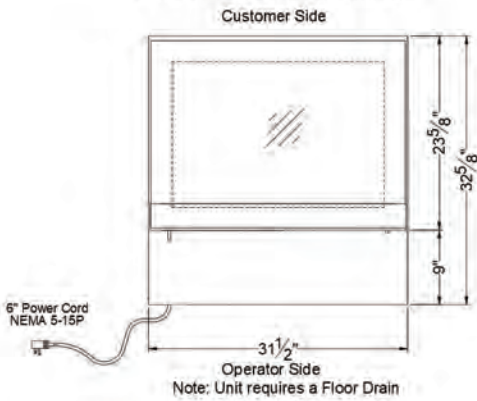
Conforms to UL Standard 471, and NSF Standard 7; Certified To CSA Standard C22.2 No.120

CALL TOLL FREE: 800-525-3692 (609-714-2330)
 FAX: 609-714-2331 www.rpiindustries.com
 220 ROUTE 70, MEDFORD, NJ 08055

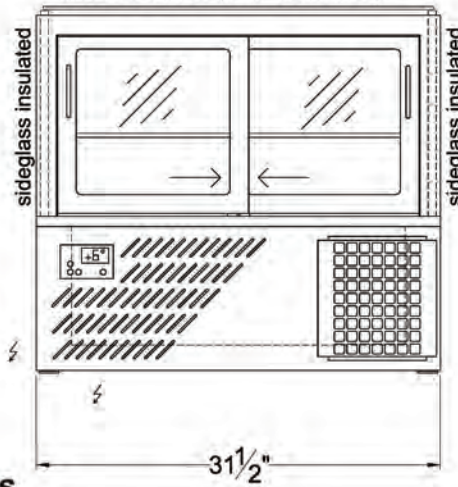
RPI INDUSTRIES, INC. v10_19_23

MODEL # VIAS-SQ CT SQUARED GLASS

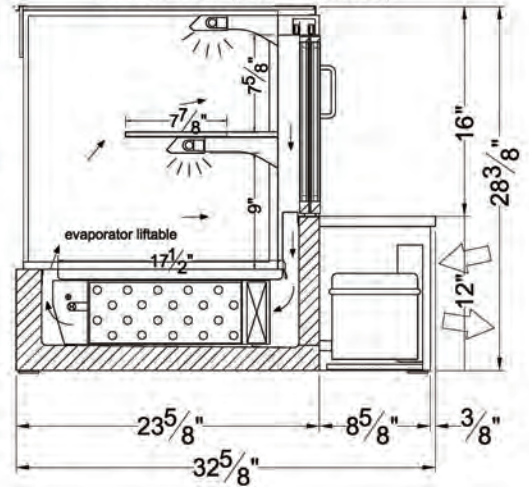
Plan View (Self-Contained)



Rear Elevation (Self-Contained)



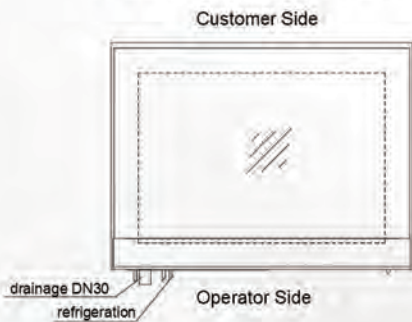
Section View (Self-Contained)



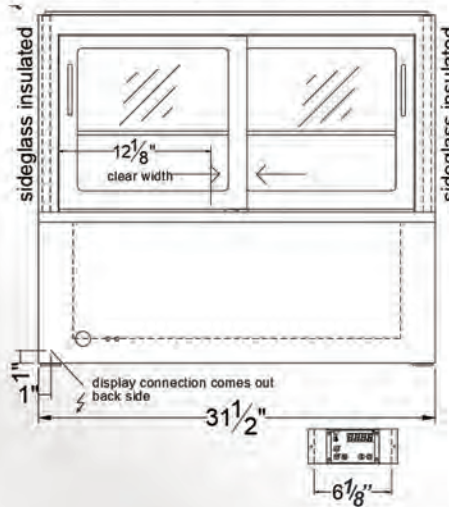
Electrical & Plumbing locations

2 1/2" HOLE REQUIRED FOR COOLING AND DRAINAGE LINES

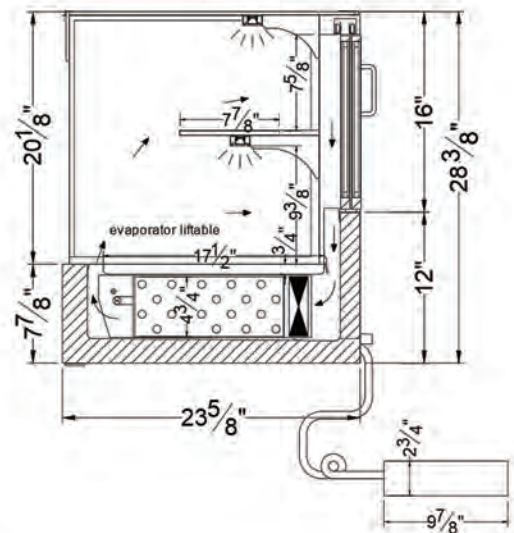
Plan View (Remote Refrigeration)



Rear Elevation (Remote Refrigerated)



Section View (Remote Refrigerated)



RPI Merchandiser is designed for use in stores where ambient temperatures and humidity do not exceed 75 Degrees Fahrenheit and 55%RH. Locate away from direct sunlight, rapid air currents and extreme temperature changes. Exposure to air currents from ceiling fans, air conditioning diffusers, ovens, etc. will disrupt the case air curtain and refrigerated zone.

Refrigerated Displays are designed to maintain pre-chilled products. Adding or loading warm products above 41 Degree Fahrenheit can affect the temperature of the entire cabinet. Any adverse field conditions stated above will void warranty.

For remote units, refrigerant must be verified by customer at the time of order to ensure proper expansion valve is provided.

RPI in line with it's current policy to continually improve it's product reserves the right to change materials and specifications without notice.

CALL TOLL FREE: 800-525-3692 (609-714-2330)

FAX: 609-714-2331 www.rpiindustries.com

220 ROUTE 70, MEDFORD, NJ 08055