

# VIENNA AIR PAN REMOTE

**PROJECT:** \_\_\_\_\_  
**ITEM:** \_\_\_\_\_ **QUANTITY:** \_\_\_\_\_

## MODEL # VIAP-RR

### SPECIFICATIONS

The Vienna Series VIAP-RR is a remote drop-in air pan. It is cooled by circulating a curtain of refrigerated air over the product in the display area to enable precise temperature control and maximum cold transfer to the food product. Evaporator features a lift-up mechanism that allows the inner pan to be easily rinsed clean. Unit is designed to accommodate standard hotel / foodservice pans (to be purchased by others).

**Available lengths:**  30 3/8"  43 1/8"  55 7/8"  68 3/4"  81 1/2"  
**Available depths:**  27 3/4"  
**Available heights:**  15 3/8"



### STANDARD FEATURES

- Remote Refrigeration with Pull-Out Compressor Housing
- 304 Stainless Steel Exterior
- Adjustable Deck Pan to Convert to Slanted Display
- Easy Removable Deck Pans for Cleaning
- Programmable Digital Refrigeration Controller
- Forced Air Cooling System
- Lift-Up Evaporator
- ETL Listed in Accordance with UL 471 and NSF 7 Standards
- Environmentally Safe Refrigerant
- Floor Drain Required

### OPTIONAL FEATURES

- Self-contained Refrigeration
- Integrations Modular Counter (Consult Factory)
- Sneeze Guards (Consult Factory)
- Adapter Bars for Standard Full-Size Pans (Pans Not Included)
- Condensate Evaporator Pan (Consult Factory)

MODEL	L	D	H	PANS	BTU	VOLT	AMP	PLUG	WT	REFRIG.	CUT-OUT SIZE
VIAP2-0-R-RR	30 3/8	27 3/4	15 3/8	2	1263	115	0.4	5-15P	258	R448A	28 3/4 x 26 1/4
VIAP3-0-R-RR	43 1/8	27 3/4	15 3/8	3	1638	115	0.4	5-15P	291	R448A	41 5/8 x 26 1/4
VIAP4-0-R-RR	55 7/8	27 3/4	15 3/8	4	2048	115	0.4	5-15P	357	R448A	54 3/8 x 26 1/4
VIAP5-0-R-RR	68 3/4	27 3/4	15 3/8	5	2390	115	0.4	5-15P	456	R448A	67 1/8 x 26 1/4
VIAP6-0-R-RR	81 1/2"	27 3/4	15 3/8	6	2816	115	0.4	5-15P	522	R448A	80 1/8 x 26 1/4

1. A 1 1/8" diameter drain is provided. The drain **MUST** be run to a floor drain **AT TIME OF INSTALLATION**.
2. For self-contained units ventilation louvers, **MUST** be provided in the cabinet or counter and located so to provide full ventilation for the condensing unit. Refrigeration System is designed so air will flow rear to front. Unobstructed air flow must be maintained to ensure unit performance and maintain warranty.
3. RPI Merchandiser is designed for use in stores where ambient temperatures and humidity do not exceed 75 Degrees Fahrenheit and 55% R.H. Locate away from direct sunlight, rapid air currents and extreme temperature changes. Exposure to air currents from ceiling fans, air conditioning diffusers, ovens, etc. will disrupt the case air curtain and refrigerated zone. Refrigerated Displays are designed to maintain pre-chilled products. A ding or loading warm products above 41 Degrees Fahrenheit can affect the temperature in the entire cabinet. Any adverse field conditions stated above will void warranty.

RPI in line with its policy to continually improve its products reserves the right to change materials and specifications without notice.

CALL TOLL FREE: 800-525-3692 (609-714-2330)

FAX: 609-714-2331 [www.rpiindustries.com](http://www.rpiindustries.com)

220 ROUTE 70, MEDFORD, NJ 08055



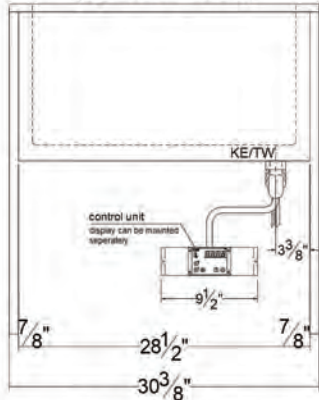
Conforms to UL Standard 471, and NSF Standard 7; Certified To CSA Standard C22.2 No.120

**RPI INDUSTRIES, INC.** v10\_19\_23

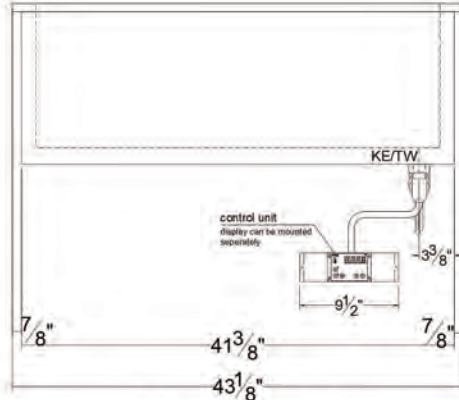
# VIENNA AIR PAN REMOTE

**PROJECT:** \_\_\_\_\_  
**TOLL FREE: 800-525-3692**

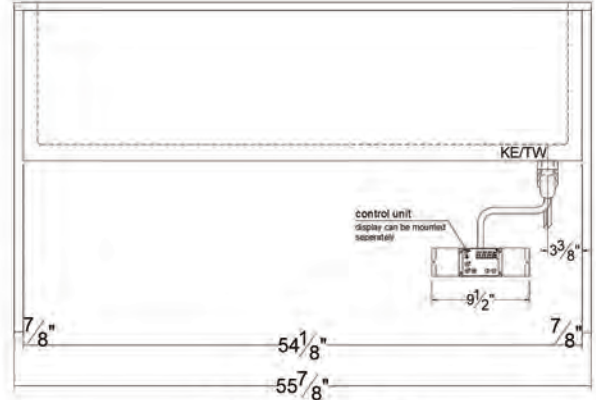
## MODEL # VIAP-RR (operator side)



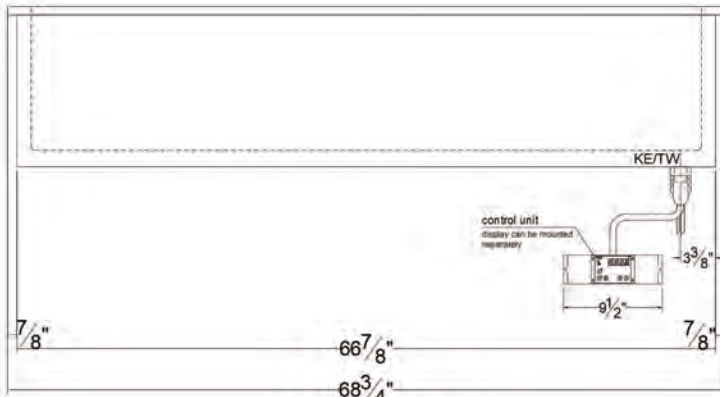
**VIAP2-0-R-RR**



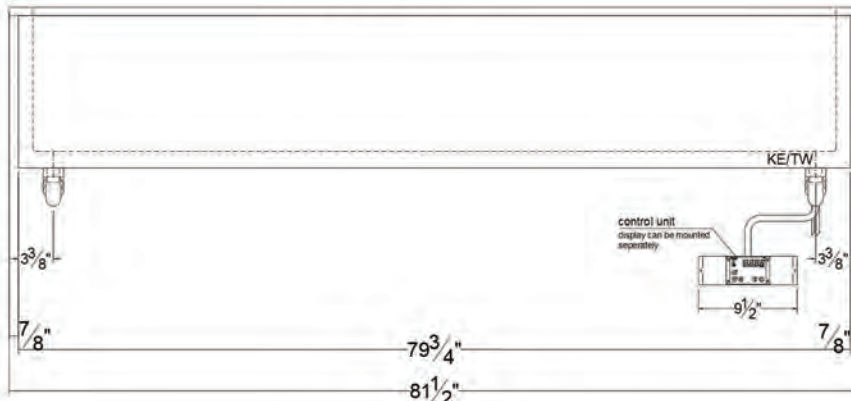
**VIAP3-0-R-RR**



**VIAP4-0-R-RR**

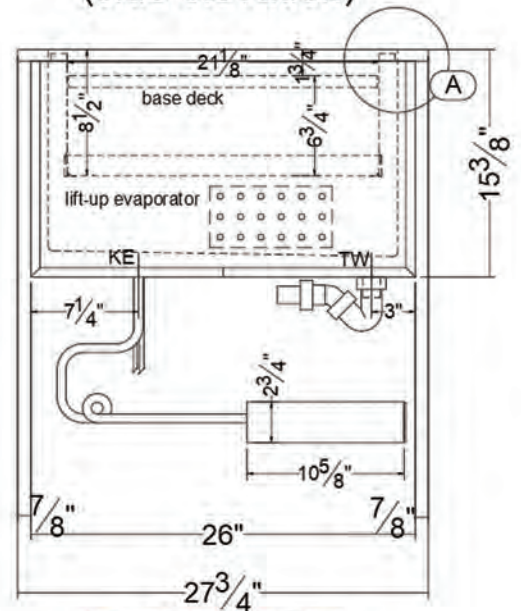


**VIAP5-0-R-RR**



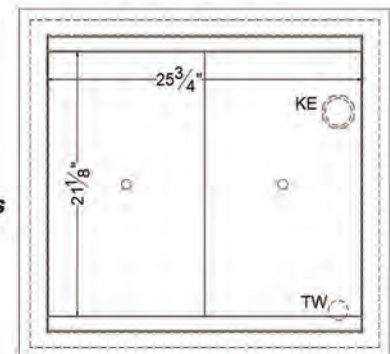
**VIAP6-0-R-RR**

## (side elevation)



**\* Note - on the VIAP 5 & VIAP 6 sizes  
 the compressor height increases from  
 10 3/8" to 12 1/4"**

## (floor plan)



### Electrical & Plumbing locations

2 1/2" HOLE REQUIRED FOR  
 COOLING AND DRAINAGE LINES

CALL TOLL FREE: 800-525-3692 (609-714-2330)

FAX: 609-714-2331 [www.rpiindustries.com](http://www.rpiindustries.com)

220 ROUTE 70, MEDFORD, NJ 08055