

# GATHER TABLES

PROJECT: \_\_\_\_\_

ITEM: \_\_\_\_\_ QUANTITY: \_\_\_\_\_

## MODEL # CASCADE H 96

### SPECIFICATIONS

Hi stone top with water fall ends and 5" apron edge, laminate plate / utensil sill, raised single induction area with remote control panel with off/on, display and 20 power levels, closed millwork base. Formica or Wilson Art standard laminate matte finish exterior, 115V/60/1, 12 amps, dedicated 15 amp circuit required, 8' cord, NEMA 5-15P.

Available lengths:  96"

Available depths:  30"

Available heights:  34"



### STANDARD FEATURES

- Hi stone top, apron & waterfall ends
- Hi stone (available in 6 colors)
- Standard plastic laminate matte finish exterior
- Laminate plate/utensil sill
- Raised induction area with (1) induction unit
- Concealed control with 20 power levels with display
- Hinged access panels to controls & electric
- Adjustable levelers
- 115v / 60 / 1, 6amps, 15 amp dedicated circuit required
- 8' cord and NEMA 5-15P plug
- Satin chrome knob-pulls

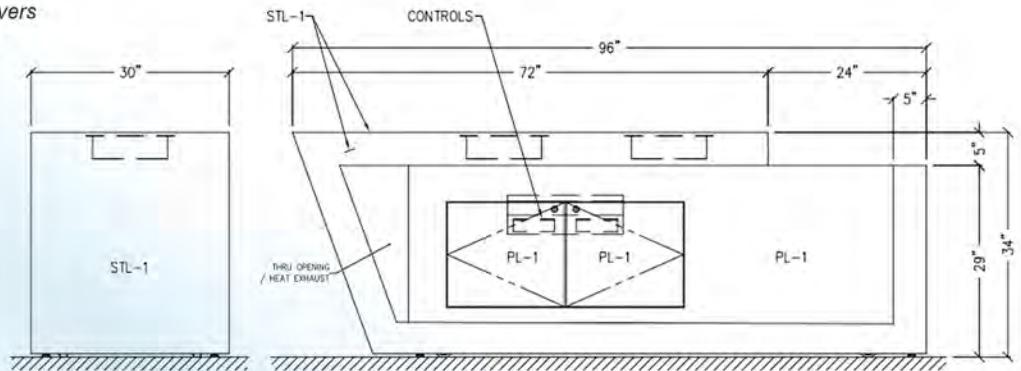
### OPTIONAL FEATURES

- Casters
- Add (1) induction unit 6 amps
- Lock per lock
- Premium laminate  
(Must specify brand name, number and color, contact factory for price.)

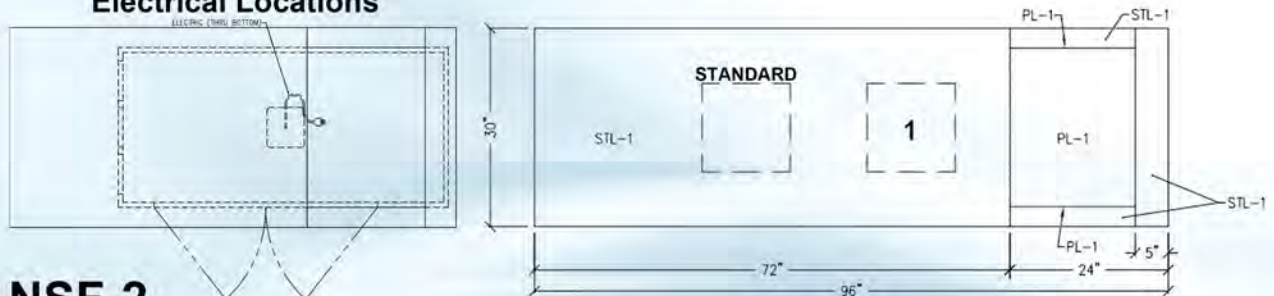
Some options may impact electrical requirements.

**Note: Units designed for warming not cooking.**

Note: Induction pans should have lids or covers to maintain proper food temperature.



### Electrical Locations



RPI in line with its policy to continually improve its products reserves the right to change materials and specifications without notice.

CALL TOLL FREE: 800-525-3692 (609-714-2330)

FAX: 609-714-2331 [www.rpiindustries.com](http://www.rpiindustries.com)

220 ROUTE 70, MEDFORD, NJ 08055

