

GATHER TABLES

PROJECT: _____
ITEM: _____ **QUANTITY:** _____

MODEL # CASCADE IC 72

SPECIFICATIONS

HI stone top with water fall ends and 5" apron edge, laminate plate / utensil sill, raised 24" Ice Rock area, closed millwork base, Formica or Wilson Art standard laminate matte finish exterior, self-contained refrigeration, 8' cord, NEMA 5-15P.

Available lengths: 72"

Available depths: 30"

Available heights: 34"



STANDARD FEATURES

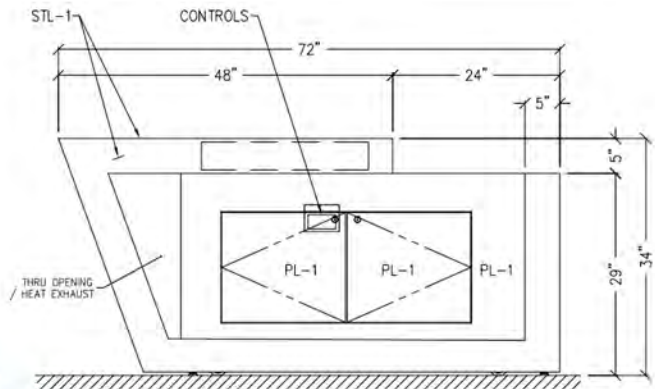
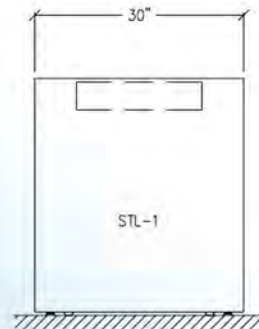
- Self-Contained Refrigeration
- HI Stone top, apron and water fall ends
- HI Stone (available in 6 colors)
- Standard plastic laminate matte finish exterior
- Laminated plate / utensil sill
- Raised ICE Rock area with 24" x 18" Ice Rock
- Hinged access panels to condensing unit
- Satin chrome knob-pulls
- 8' cord and NEMA 5-15P plug
- Adjustable levelers
- 115v / 60 / 1 5.9 amps 15 amp dedicated circuit required
- 5 yr compressor warranty

OPTIONAL FEATURES

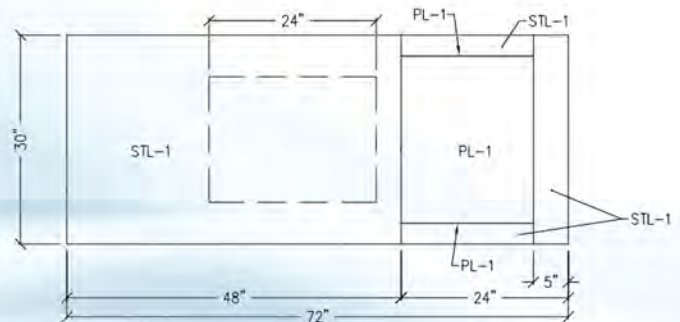
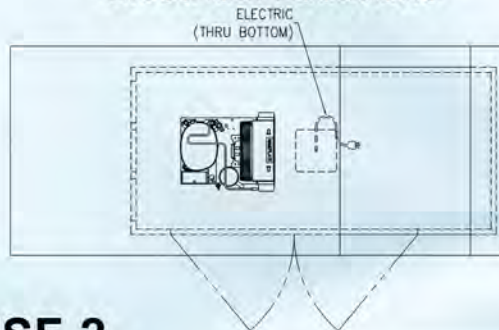
- 3" Casters
- Lock per door
- Premium Laminate
(Must specify brand name, number and color, contact factory for price.)

Some options may change electrical requirements.

Note: When ice rock is turned off water will accumulate on top surface.



Electrical Locations



RPI in line with its policy to continually improve its products reserves the right to change materials and specifications without notice.

CALL TOLL FREE: 800-525-3692 (609-714-2330)

FAX: 609-714-2331 www.rpiindustries.com

220 ROUTE 70, MEDFORD, NJ 08055

