

# GATHER TABLES

PROJECT: \_\_\_\_\_  
ITEM: \_\_\_\_\_ QUANTITY: \_\_\_\_\_

## MODEL # CASCADE IC 96

### SPECIFICATIONS

HI stone top with water fall ends and 5" apron edge, laminate plate / utensil sill, raised 24" Ice Rock area, closed millwork base, Formica or Wilson Art standard laminate matte finish exterior, self-contained refrigeration, 8' cord, NEMA 5-15P.

Available lengths:  96"

Available depths:  30"

Available heights:  34"



### STANDARD FEATURES

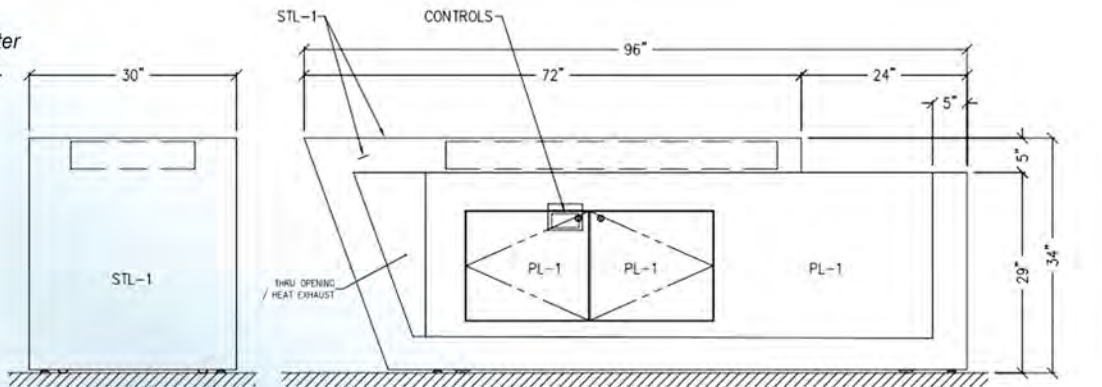
- Self-Contained Refrigeration
- HI Stone top, apron and water fall ends
- HI Stone (available in 6 colors)
- Standard plastic laminate matte finish exterior
- Laminated plate / utensil sill
- Raised ICE Rock area with 24" x 18" Ice Rock
- Hinged access panels to condensing unit
- Satin chrome knob-pulls
- 8' cord and NEMA 5-15P plug
- Adjustable levelers
- 115v / 60 / 1 5.9 amps 15amp dedicated circuit required
- 5 yr compressor warranty

### OPTIONAL FEATURES

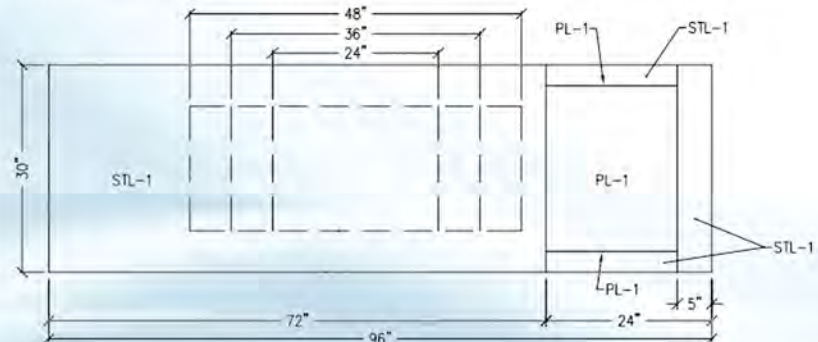
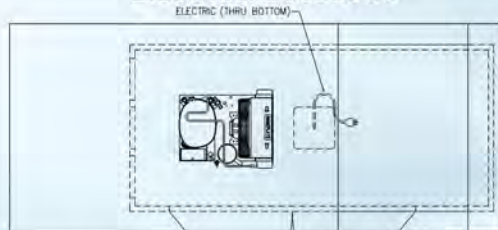
- 36" x 18" Ice Rock in lieu of 24" 5.9 amps
- 48" x 18" Ice Rock in lieu of 24" 7.6 amps
- 3" Casters
- Lock per door
- Premium laminate  
(Must specify brand name, number and color, contact factory for price.)

Some options may impact electrical requirements.

Note: When ice rock is turned off water will accumulate on top surface.



### Electrical Locations



RPI in line with its policy to continually improve its products reserves the right to change materials and specifications without notice.

CALL TOLL FREE: 800-525-3692 (609-714-2330)

FAX: 609-714-2331 [www.rpiindustries.com](http://www.rpiindustries.com)

220 ROUTE 70, MEDFORD, NJ 08055

