

# GATHER TABLES

PROJECT: \_\_\_\_\_

ITEM: \_\_\_\_\_ QUANTITY: \_\_\_\_\_

## MODEL # CHILL

### SPECIFICATIONS

Hi stone top, 1½ integrated drop edge, radius corners, closed millwork base, Hinged Access Panel, Formica or Wilson Art standard laminate exterior, matte finish, swivel casters, self-contained refrigeration, electric condensate evap pan, 8' cord, NEMA 5-20P.

Available lengths:  30"

Available depths:  30"

Available heights:  48"



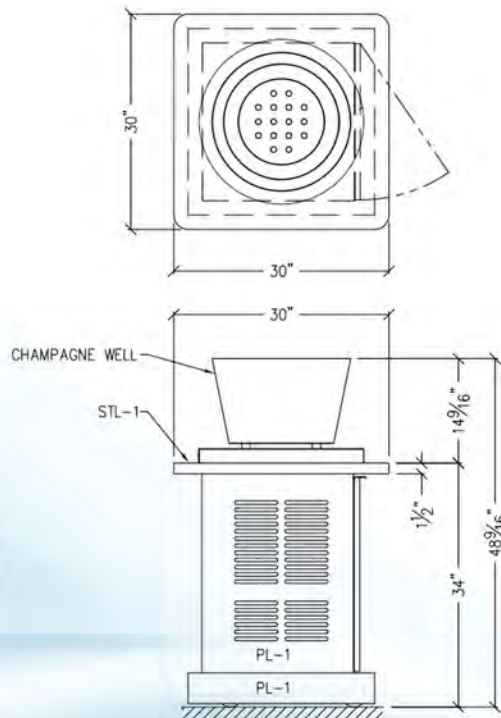
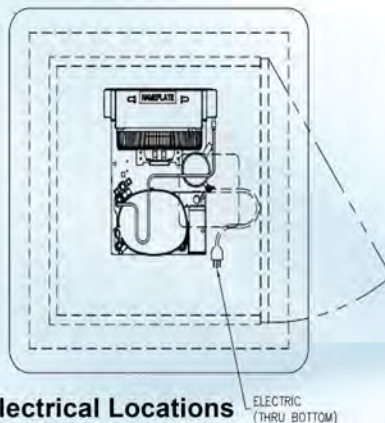
### STANDARD FEATURES

- Self-Contained Refrigeration
- Hi stone (available in 6 colors)
- Closed millwork base
- Hinged Access Panel
- Swivel Caster
- Slotted ventilation
- Standard plastic laminate matte finish exterior
- Condensate evaporation pan
- 8' cord and NEMA 5-20P plug, 15.58amps
- Satin Chrome Knob-pull
- 5 Year Compressor Warranty

### OPTIONAL FEATURES

- Door lock
- Premium Laminate  
(Must specify brand name, number and color, contact factory for price.)

Note: When condensing unit is turned off, unit must remain plugged in for evaporation pan to activate as bottle chiller defrosts. **Do not use ice in this unit.**



RPI in line with its policy to continually improve its products reserves the right to change materials and specifications without notice.

CALL TOLL FREE: 800-525-3692 (609-714-2330)

FAX: 609-714-2331 [www.rpiindustries.com](http://www.rpiindustries.com)

220 ROUTE 70, MEDFORD, NJ 08055

**RPI** INDUSTRIES, INC. v3\_15\_23