

GATHER TABLES

PROJECT: _____
ITEM: _____ **QUANTITY:** _____

MODEL # CONVENE H 72

SPECIFICATIONS

Hi stone top with 3" integrated angled apron edge, area's for plate's / utensils on top, single induction area with remote control panel with off/on, display and 20 power levels, closed millwork pedestal base, hinged access panels to controls, Formica or Wilson Art standard laminate matte finish exterior, 115V/60/1, 6 amps, 15 amp dedicated circuit required, 8' cords with NEMA 5-15P.

Available lengths: 72"

Available depths: 30"

Available heights: 34"



STANDARD FEATURES

- Hi stone top with 3" integrated angled apron edge
- Hi stone (available in 6 colors)
- (1) induction unit included
- Standard plastic laminate matte finish exterior
- Area for plates / utensils on top
- Concealed control panel 20 power levels with display
- Closed millwork pedestal bases with storage
- Adjustable shelf
- Hinge access panel to control panel and storage
- Adjustable levelers
- 115v / 60 / 1, 6 amps, 15 amps dedicated circuit required
- Ventilation slots
- Satin chrome knob-pulls

OPTIONAL FEATURES

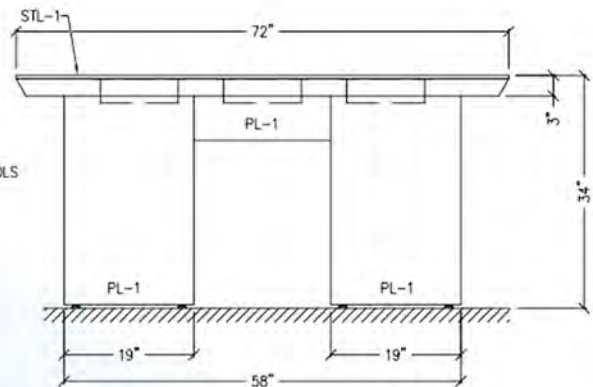
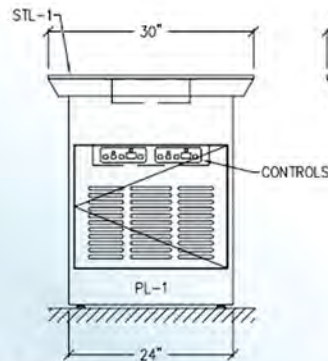
- Add (1) induction unit 6 amps
- Add (2) induction units 6 amps each (additional dedicated 15 amp curcuit required.)
- Lock per door
- Premium Laminate (Must specify brand name, number and color, contact factory for price.)

Note: Contact factory if 6-20 outlet(s) are available when ordering additional induction units.

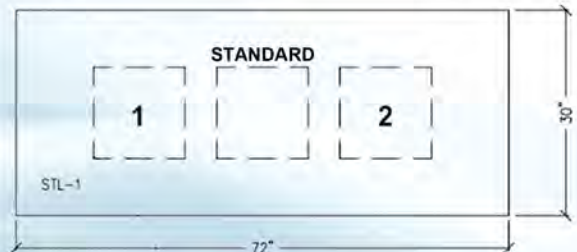
Some options may impact electrical requirements.

Note: Units designed for warming not cooking

Note: Induction pans should have lids or covers to maintain proper food temperature.



Electrical Locations



RPI in line with its policy to continually improve its products reserves the right to change materials and specifications without notice.

CALL TOLL FREE: 800-525-3692 (609-714-2330)

FAX: 609-714-2331 www.rpiindustries.com

220 ROUTE 70, MEDFORD, NJ 08055

