

# GATHER TABLES

PROJECT: \_\_\_\_\_  
ITEM: \_\_\_\_\_ QUANTITY: \_\_\_\_\_

## MODEL # CONVENE IC 72

### SPECIFICATIONS

Hi stone top with 3" integrated angled apron edge, area for plate's / utensil's area on top, 24" centered Ice Rock area, closed millwork pedestal bases, hinged access panels with off/on switch, Formica or Wilson Art standard laminate matte finish exterior, self-contained refrigeration, 8' cord, NEMA 5-15P.

Available lengths:  72"

Available depths:  30"

Available heights:  34"



### STANDARD FEATURES

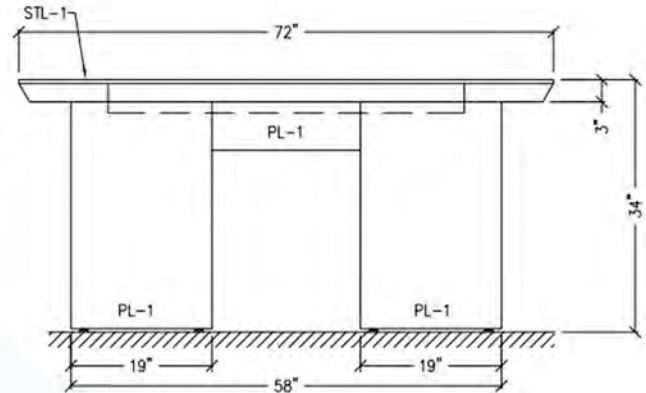
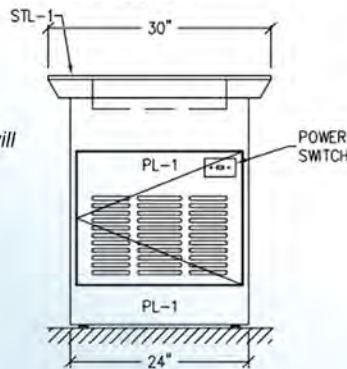
- Self-Contained Refrigeration
- Hi stone top with 3" integrated angled apron edge
- Hi stone (available in 6 colors)
- Standard plastic laminate matte finish exterior
- Area for plates / utensils on top
- 24" x 18" centered ice rock
- Closed millwork pedestal bases
- Storage and adjustable shelf in one pedestal
- Hinged access panel to condensing unit and storage
- Adjustable levelers
- 115v / 60 / 1, 5.9 amps
- 8' cord and NEMA 5-15P plug dedicated circuit required
- Ventilation slots
- Satin chrome knob-pulls
- 5 year compressor warranty

Note: When ice rock is turned off water will accumulate on top surface.

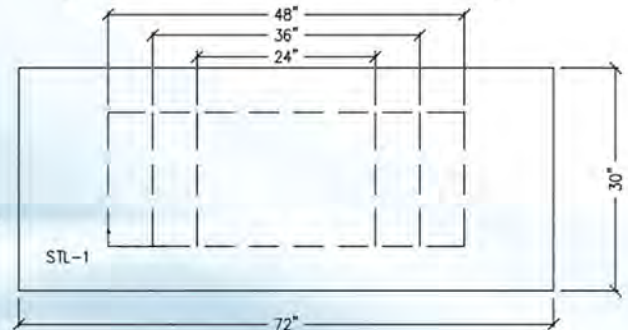
### OPTIONAL FEATURES

- 36" x 18" ice rock in lieu of 24" 5.9 amps
- 48" x 18" ice rock in lieu of 24" 7.6 amps
- Lock per door
- Premium laminate  
(Must supply brand name number and color contact factory for price.)

Some options may impact electrical requirements.



### Electrical Locations



ELECTRIC (NHW 90110M)

RPI in line with its policy to continually improve its products reserves the right to change materials and specifications without notice.

CALL TOLL FREE: 800-525-3692 (609-714-2330)

FAX: 609-714-2331 [www.rpiindustries.com](http://www.rpiindustries.com)

220 ROUTE 70, MEDFORD, NJ 08055

**RPI** INDUSTRIES, INC. v3\_15\_23