

GATHER TABLES

PROJECT: _____
ITEM: _____ **QUANTITY:** _____

MODEL # CONVENE XL H 72

SPECIFICATIONS

Double wide unit can be used as a work area or serving area, HI stone top with 3" integrated angled apron edge, flat ledge area on all sides, raised centered single induction area with closed millwork pedestal bases, hinged access panels with remote control panels with off/on, display and 20 power levels, Formica or Wilson Art standard laminate matte finish exterior, 115V/60/1, 6 amps, 15 amp dedicated circuit required, 8' cords with NEMA 5-15P.

Available lengths: 72"

Available depths: 48"

Available heights: 42"



STANDARD FEATURES

- Double wide unit
- Hi stone ledge 13" wide all sides
- 3" integrated angled apron
- Hi stone (available in 6 colors)
- (1) induction unit included
- Concealed control panel with 20 power levels with display
- Closed millwork pedestal base with storage
- Adjustable shelf
- Hinged access panel to controls and storage
- Ventilation slots
- Standard plastic laminate matte finish exterior
- Adjustable levelers
- 115v / 60 / 1, 6 amps, 15 amps dedicated circuit required
- 8' cord & NEMA 5-15 plug
- Satin chrome knob-pulls

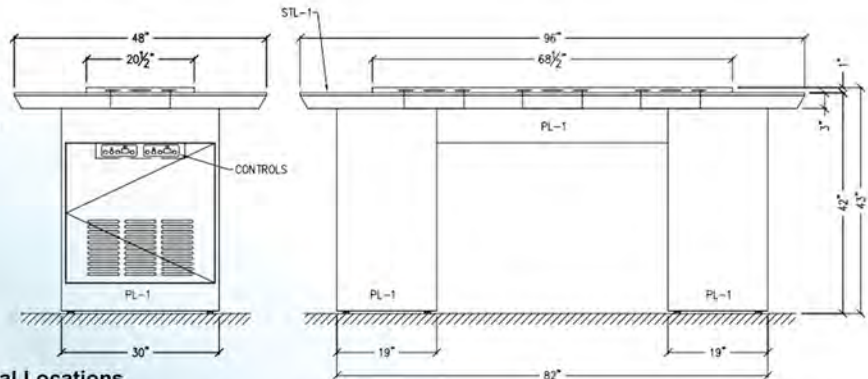
OPTIONAL FEATURES

- Add (1) induction unit
- Lock per door
- Premium laminate
(Must specify brand name, number, and color, contact factory for price.)

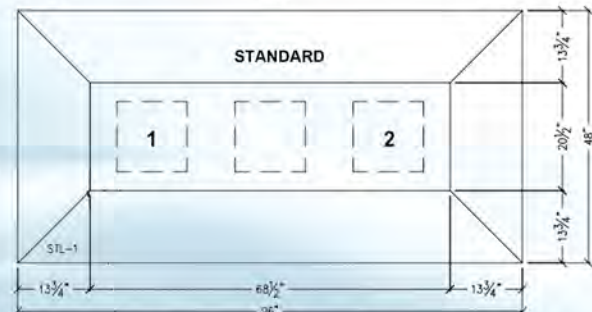
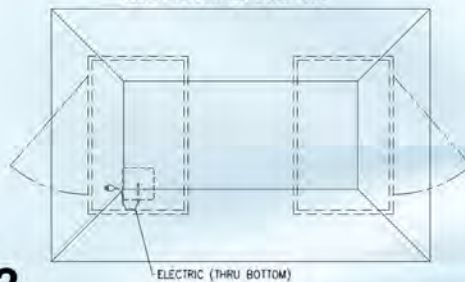
Some options may impact electrical requirements.

Note: Units designed for warming not cooking.

Note: Induction pans should have lids or covers to maintain proper food temperature.



Electrical Locations



RPI in line with its policy to continually improve its products reserves the right to change materials and specifications without notice.

CALL TOLL FREE: 800-525-3692 (609-714-2330)

FAX: 609-714-2331 www.rpiindustries.com

220 ROUTE 70, MEDFORD, NJ 08055

