

GATHER TABLES

PROJECT: _____
ITEM: _____ **QUANTITY:** _____

MODEL # CONVENE XL IC 96

SPECIFICATIONS

Double wide unit can be used as a work area or serving area, Hi stone top with 3" integrated angled apron edge, flat ledge area on all sides, raised 24" centered Ice Rock area, closed millwork pedestal bases, hinged access panels with off/on switch, Formica or Wilson Art standard laminate matte finish exterior, self-contained refrigeration, 8' cord, NEMA 5-15P.

Available lengths: 96"

Available depths: 48"

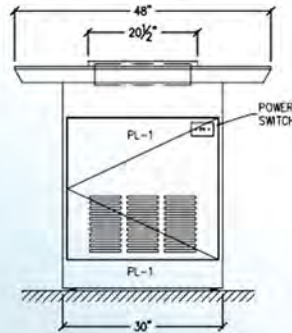
Available heights: 42"



STANDARD FEATURES

- Self-Contained Refrigeration
- Double wide unit
- Hi stone 13" wide ledge all sides
- 3" integrated angled apron
- Raised 1" high centered area with 24" x 18" ice rock
- Hi stone (available in 6 colors)
- Closed millwork pedestal base
- Storage with adjustable shelf in one pedestal
- Hinged access panel to condensing unit and storage
- Standard plastic laminate matte finish exterior
- Ventilation slots
- Adjustable Levelers
- 115v / 60 / 1, 5.9 amps, 15 amp dedicated circuit required
- Satin chrome knob-pull
- 5 year compressor warranty

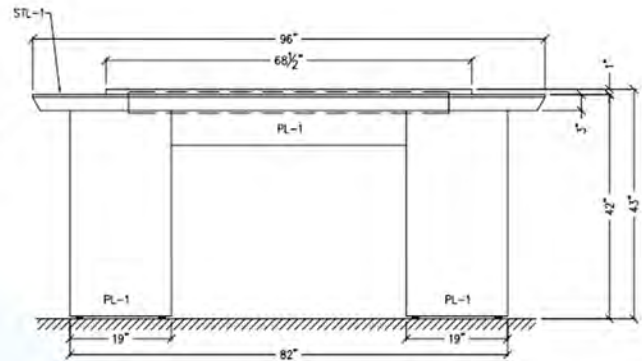
Note: When ice rock is turned off water will accumulate on top surface.



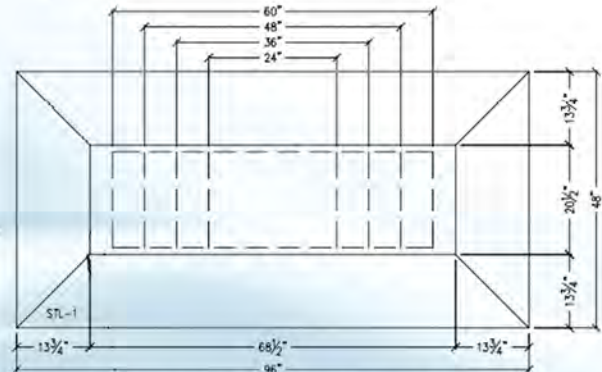
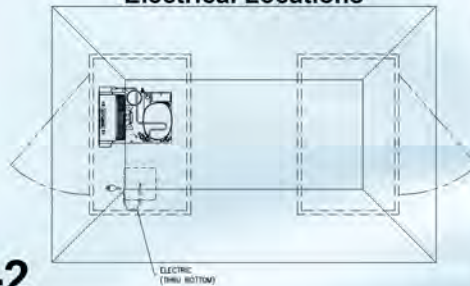
OPTIONAL FEATURES

- 36" x 18" ice rock in lieu of 24" 5.9 amps
- 48" x 18" ice rock in lieu of 24" 7.6 amps
- 60" x 18" ice rock in lieu of 24" 7.6 amps
- Lock per door
- Premium laminate
 (Must specify brand name, number and color, contact factory for price.)

Some options may impact electrical requirements



Electrical Locations



RPI in line with its policy to continually improve its products reserves the right to change materials and specifications without notice.

CALL TOLL FREE: 800-525-3692 (609-714-2330)

FAX: 609-714-2331 www.rpiindustries.com

220 ROUTE 70, MEDFORD, NJ 08055



v3_15_23