

GATHER TABLES

PROJECT: _____
ITEM: _____ **QUANTITY:** _____

MODEL # ELEMENT H 96

SPECIFICATIONS

Hi stone top with 2" integrated drop edge, area's for plate's / utensils on top, single induction area with control panel with off/on, display and 20 power levels, closed millwork pedestal base, Formica or Wilson Art standard laminate matte finish exterior, 115V/60/1, 6 amps, 15 amp dedicated circuit required, 8' cords with NEMA 5-15P.

Available lengths: 96"

Available depths: 30"

Available heights: 34"



STANDARD FEATURES

- Hi stone top with 2" integrated drop edge
- Hi stone (available in 6 colors)
- Standard plastic laminate matte finish exterior
- Area for plates / utensils on top
- (1) induction unit included
- Control panel with 20 power levels with display
- Closed millwork pedestal bases
- Adjustable levelers
- 115v / 60 / 1, 6 amps, 15 amps dedicated circuit required

Note: Units designed for warming not cooking

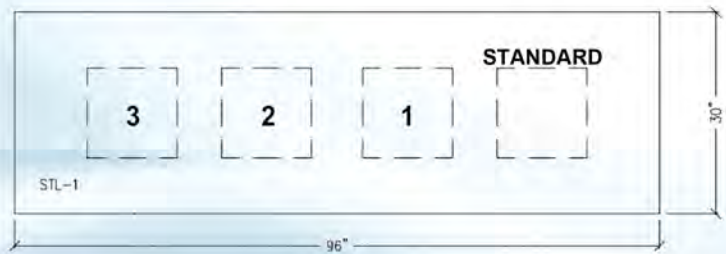
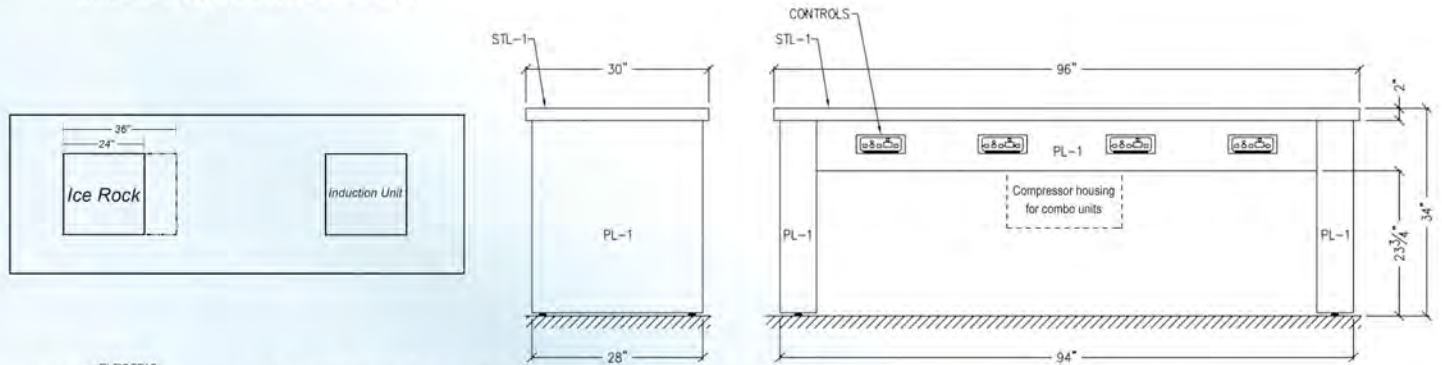
Note: Induction pans should have lids or covers to maintain proper food temperature.

OPTIONAL FEATURES

- Add (1) induction unit 6 amps
- Add (2) induction units 6 amps each (additional 15 amps dedicated circuit required)
- Add (3) induction units 6 amps each (additional 15 amps dedicated circuit required)
- Combo 1 24" x 18" ice rock with (1) induction, 115v/60/1, 11.9 amps
- Combo 2 36" x 18" ice rock with (1) induction, 115v/60/1, 11.9 amps
- Premium laminate (Must specify brand name, number and color, contact for price.)

Note: Contact factory if 6-20 outlet is available when ordering additional induction units.

Some options may impact electrical requirements.



RPI in line with its policy to continually improve its products reserves the right to change materials and specifications without notice.

CALL TOLL FREE: 800-525-3692 (609-714-2330)

FAX: 609-714-2331 www.rpiindustries.com

220 ROUTE 70, MEDFORD, NJ 08055

