

GATHER TABLES

PROJECT: _____

ITEM: _____ QUANTITY: _____

MODEL # LEISURE IC 72

SPECIFICATIONS

Unit back can be against a wall, front air intake rear air discharge, HI stone top with an eased edge, area for plate's / utensil's, 24" centered Ice Rock area, closed millwork bases, hinged access panels with off/on switch, Open ambient beverage storage section, Formica or Wilson Art standard laminate matte finish exterior, self-contained refrigeration, 8' cord, NEMA 5-15P.

Available lengths: 72"

Available depths: 30"

Available heights: 34"



Shown with optional applied decorative wood trim

STANDARD FEATURES

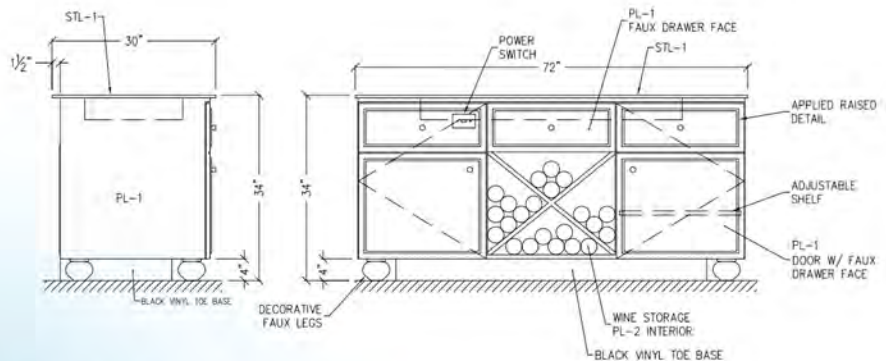
- Self-Contained Refrigeration
- Hi stone top (available in 6 colors)
- Closed millwork base
- Hinged access door to compressor and electric
- Hinged door with storage
- Satin chrome knob-pull
- Adjustable shelf
- Faux drawer fronts
- Concealed controls
- Open ambient beverage display/storage
- Decorative wood legs
- Back can go against wall
- 24" x 18" ice rock centered
- Front air intake, rear exhaust
- Black laminate interior
- Standard plastic laminate matte finish exterior
- 115v / 60 / 1, 5.9 amps, 15 amp
- Dedicated circuit required
- 8' cord and NEMA 5-15P plug
- 5 year compressor warranty

Note: When ice rock is turned off water will accumulate on top surface.

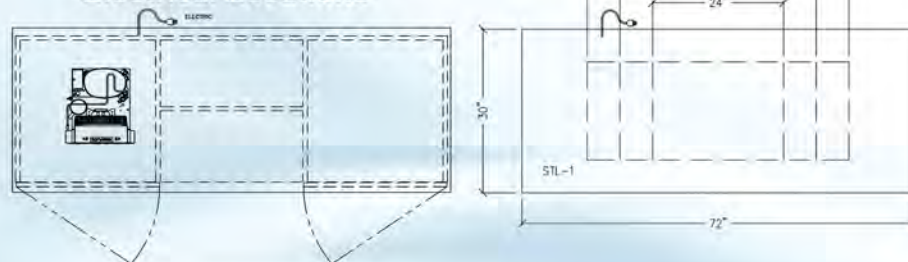
OPTIONAL FEATURES

- 36" x 18" ice rock in lieu of 24" 5.9amps
- 48" x 18" ice rock in lieu of 24" 7.6amps
- Applied decorative wood trim
- Lock per door
- Premium Laminate
(Must specify brand name, number and color, contact factory for price.)

Some options may change electrical requirements



Electrical Locations



RPI in line with its policy to continually improve its products reserves the right to change materials and specifications without notice.

CALL TOLL FREE: 800-525-3692 (609-714-2330)

FAX: 609-714-2331 www.rpiindustries.com

220 ROUTE 70, MEDFORD, NJ 08055

