

GATHER TABLES

PROJECT: _____

ITEM: _____ QUANTITY: _____

MODEL # TOGETHER IC 72

SPECIFICATIONS

Hi stone top with 1½" integrated drop edge, area for plates / utensil's, 24" centered Ice Rock area, closed millwork base, Formica or Wilson Art standard laminate matte finish exterior, stainless wedge ventilated end panel, recessed off/on switch on (1) end, end panels removable for service, self-contained refrigeration, 8' cord, NEMA 5-15P.

Available lengths: 72"

Available depths: 30"

Available heights: 34"



Shown with optional wood edge and tapered wood base

STANDARD FEATURES

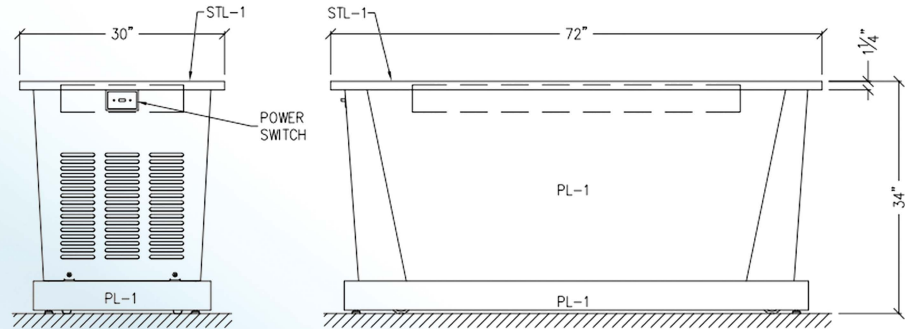
- Self-Contained Refrigeration
- Hi stone top with 1½" integrated drop edge
- Hi stone (available in 6 colors)
- Standard plastic laminate matte finish exterior
- Area on top for plates and utensils
- 24" x 18" centered ice rock
- Closed millwork base
- Stainless wedge end ventilation panels
- End panel removable for electric and service
- 115v / 60 / 1, 5.9 amps, 8' cord and NEMA 5-15P plug
- Adjustable levelers
- 15 amp dedicated circuit required
- 5 yr compressor warranty

Note: When ice rock is turned off water will accumulate on top surface.

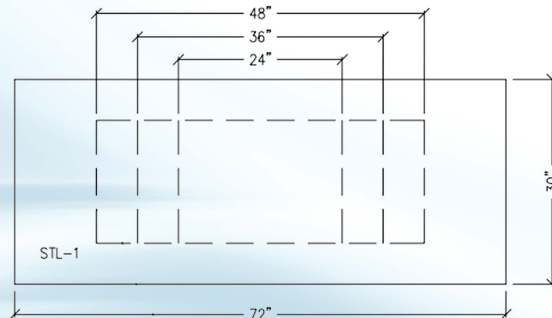
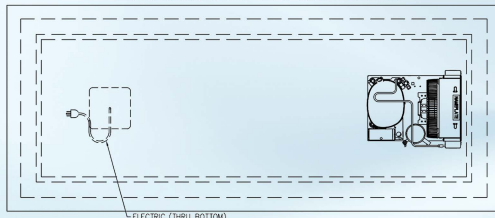
OPTIONAL FEATURES

- Tapered wood edge and base with 5 stain colors available and black bumper
- 3" casters
- 36" x 18" ice rock in lieu of 24" 5.9 amps
- 48" x 18" ice rock in lieu of 24" 7.6 amps
- End panel powder coat finishes:
 - RAL 5019 Carpri Blue
 - RAL 3020 Traffic Red
 - RAL 9010 Pure White
 - RAL 9005 Jet Black
 - RAL 6032 Signal Green
- Premium laminate
(Must specify brand name, number and color, contact factory for price.)

Some options may impact electrical requirements.



Electrical Locations



NSF-2

RPI in line with its policy to continually improve its products reserves the right to change materials and specifications without notice.

CALL TOLL FREE: 800-525-3692 (609-714-2330)

FAX: 609-714-2331 www.rpiindustries.com

220 ROUTE 70, MEDFORD, NJ 08055



v8_3_23