

GATHER TABLES

PROJECT: _____

ITEM: _____ QUANTITY: _____

MODEL # CASCADE H 96

SPECIFICATIONS

Hi stone top with water fall ends and 5" apron edge, laminate plate / utensil sill, raised single induction area with remote control panel with off/on, display and 20 power levels, closed millwork base. Formica or Wilson Art standard laminate matte finish exterior, 115V/60/1, 12 amps, dedicated 15 amp circuit required, 8' cord, NEMA 5-15P.

Available lengths: 96"

Available depths: 30"

Available heights: 34"



STANDARD FEATURES

- Hi stone top, apron & waterfall ends
- Hi stone (available in 6 colors)
- Standard plastic laminate matte finish exterior
- Laminate plate/utensil sill
- Raised induction area with (1) induction unit
- Concealed control with 20 power levels with display
- Hinged access panels to controls & electric
- Adjustable levelers
- 115v / 60 / 1, 6amps, 15 amp dedicated circuit required
- 8' cord and NEMA 5-15P plug
- Satin chrome knob-pulls

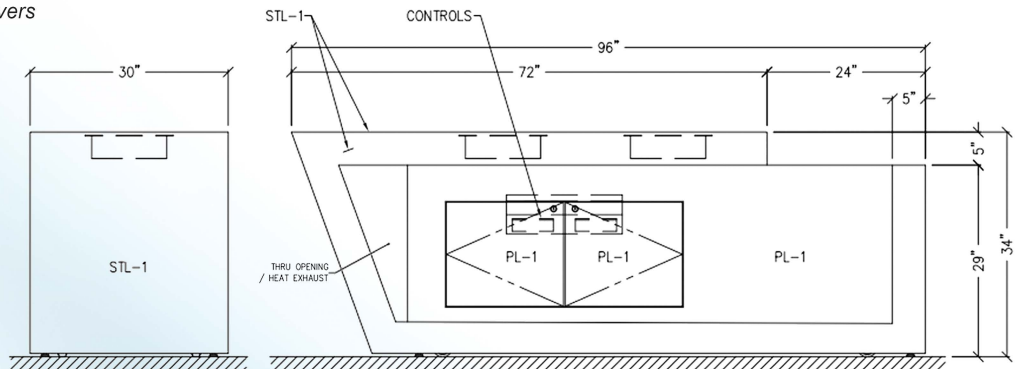
OPTIONAL FEATURES

- Casters
- Add (1) induction unit 6 amps
- Lock per lock
- Premium laminate
(Must specify brand name, number and color, contact factory for price.)

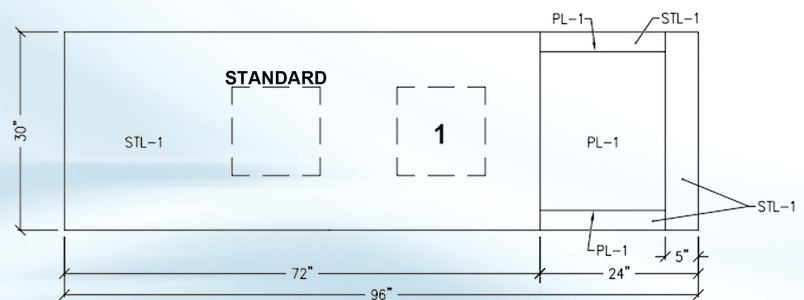
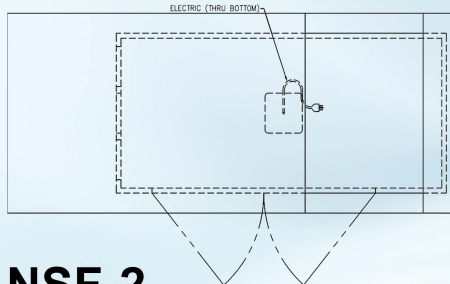
Some options may impact electrical requirements.

Note: Units designed for warming not cooking.

Note: Induction pans should have lids or covers to maintain proper food temperature.



Electrical Locations



RPI in line with its policy to continually improve its products reserves the right to change materials and specifications without notice.

CALL TOLL FREE: 800-525-3692 (609-714-2330)

FAX: 609-714-2331 www.rpiindustries.com

220 ROUTE 70, MEDFORD, NJ 08055



v6_26_23