

# OLYMPUS V AIR SCREEN

PROJECT: \_\_\_\_\_  
ITEM: \_\_\_\_\_ QUANTITY: \_\_\_\_\_

## MODEL # SCAS-V

### SPECIFICATIONS

The Olympus V Air Screen SCAS-V Series is a grab and go style refrigerator. The self-contained refrigeration system includes digital controls allowing unit to engage in minimal defrost cycles. Unique baffled compressor housing for front air intake, top rear air discharge reducing noise levels, plus zero clearance from wall installation. Unit comes standard with 4 adjustable extra deep shelves and is available with energy efficient LED lighting underneath the shelving.

Available lengths:  48"  60"  72"  
Available depths:  32"  
Available heights:  78"



### STANDARD FEATURES

- Solid End Panels
- Self-Contained Refrigeration
- Squared Top Canopy
- Smart Controller Electronic Digital Temperature Control and Defrost Termination
- Metal Frame Base Construction with Lift-Out Black Louvered Air Grill For Easy Access To Compressor
- Standard Grade Laminate Exterior
- Brushed Stainless Steel Interior Ends
- Stainless Steel Perforated Interior Back Panel
- 3500K LED Top Canopy Light
- Vertical Recessed Power Supply For Undershelf Light
- 3 Positions Downslant Bracket
- (4) Adjustable Stainless Steel Extra Deep Shelves for Maximum Capacity, with 3500K LED Lighting
- Removable Stainless Steel Deck Pan with Hemmed Edge to Contain Spills
- Red Indicator Light Alerts Operator if Condenser Requires Cleaning
- Unique Internal Baffle Design for Compressor Noise Reduction
- Front Air Intake with Top Rear Air Discharge for Zero Clearance
- Easy Slide-Out Condensing Unit For Service
- 8' Cord and Plug
- ETL Listed in Accordance with UL 471 and NSF 7 Type II Refrigeration
- Environmentally Safe Refrigerant
- Condensate Evap Included No Drain Required
- Energy Saving Night Curtain
- 1 Year Parts and Labor Warranty
- 5 Year Compressor Warranty

### OPTIONAL FEATURES

- Side Vision End Panels
- Heated Insulated Programmable RGBWW 4-in-1 LED lights
- Heated Insulated Glass Vision End Panels
- Heated Insulated Glass With LED Lights End Panels
- Heated Insulated Glass With LED Lights Around Perimeter Adjustable From 3500K - 5000K
- Adjustable Thin Profile LED Shelf Lighting With Adjustable Dimmer 3500K - 5000K
- Vertical Thin Profile LED Lighting In Lieu Of Lighting Below Shelves
- Food Simulator Activating A Motorized Door That Will Automatically Close When Product Registers Above 40 Degrees
- Food Simulator Activating A Motorized Door That Will Automatically Close When Product Registers Above 40 Degree With Battery Backup/Power Interruption.
- Roll Down Locking Security Gate
- Self Contained Variable Speed Condenser With Noise Reduction For
- Optimal Efficiency
- Multi Speed Evap Fan For Maximum Cooling And Energy Saving
- Remote Refrigeration
- Front Decorative Panels (Remote Refrigerated Units Only, Consult Factory)
- Special Laminates
- Stainless Steel Exterior Finish  #4  #8
- Finished Back with Air Grill:  Stainless Steel  Black
- Wood Veneers (Stained & Sealed)
- Top Mount Proximity Motion Sensor (Interior Light Only)
- Wire Shelves  White  Black  Chrome
- Tempered 3/8" Glass Shelving
- Front Stainless Shelving With U Shape Front Product Display Ledge
- Casters:  3"  6"
- Adjustable Legs Up To 6"
- Powder Coated Interior Back Panel and Hardware
  - Black  White  Custom Color
- Mirrored Polished Stainless Steel Interior Ends (#8 Finish)
- Mirrored Polished Stainless Steel Perforated Interior Back Panel (#8 Finish)
- Joining Kit Hardware
- Solid Insulated or See-Through Rear Sliding Doors at 29 3/4" Depth
- Acrylic Product Stop For Stainless Steel Shelving
- Acrylic Product Stop With Stainless Louvered Shelving.

CALL TOLL FREE: 800-525-3692 (609-714-2330)

FAX: 609-714-2331 [www.rpiindustries.com](http://www.rpiindustries.com)

220 ROUTE 70, MEDFORD, NJ 08055



Conforms to UL Standard 471,  
and NSF Standard 7; Certified  
To CSA Standard C22.2 No.120

Conforms to NSF STD 7  
**TYPE II**

**DOE 2017**  
Energy Efficiency  
Compliant

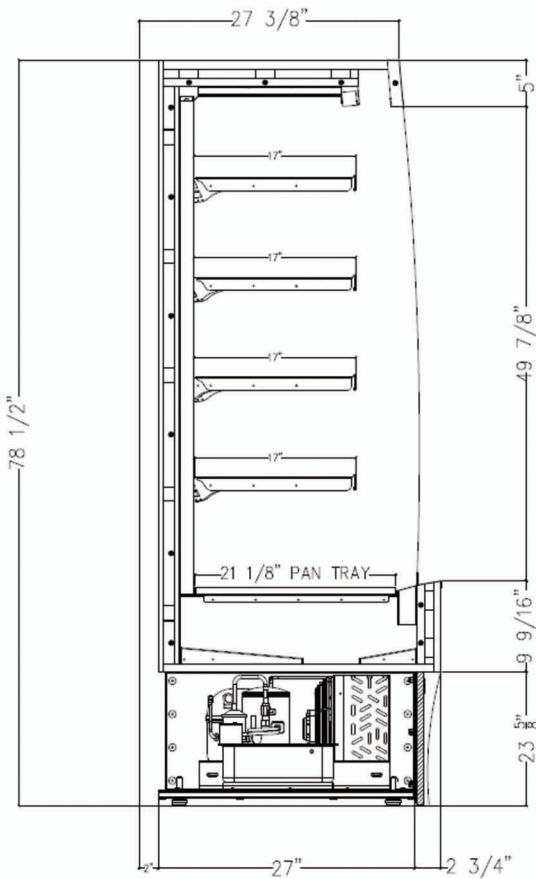
RPI INDUSTRIES, INC. v4\_16-19

# OLYMPUS V AIR SCREEN

**PROJECT:** \_\_\_\_\_

**TOLL FREE: 800-525-3692**

## MODEL # SCAS-V



### SELF - CONTAINED

MODEL	L	D	H	HP	VOLT	AMP	PLUG	WT	REFRIG
SCAS48R-V	48	32	78	1	115/208-230 4wire	15.6	L15-20P	900	404A
SCAS60R-V	60	32	78	1 1/4	115/208-230 4wire	15.9	L15-20P	1020	404A
SCAS72R-V	72	32	78	1 1/4	115/208-230 4wire	15.9	L15-20P	1150	404A

**NOTE:** A minimum of 18" clearance needed above unit for air discharge for self contained units.

### AMBIENT

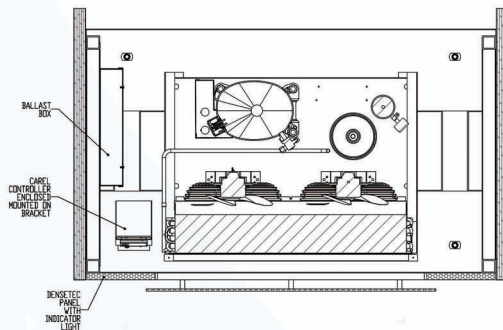
MODEL	L	D	H	VOLT	AMP	PLUG	WT
SCAS48D-V	48	32	78	115	1.0	5-15P	800
SCAS60D-V	60	32	78	115	1.3	5-15P	920
SCAS72D-V	72	32	78	115	1.6	5-15P	1050

### REMOTE - REFRIGERATED

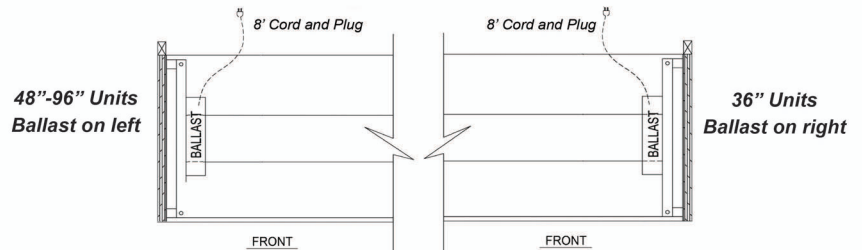
MODEL	BTUH @ 20 F	VOLT	AMP	PLUG	WT	REFRIG.	WITH OPTIONAL EVAP. PAN	
							EVAP. AMP	TOTAL AMP
SCAS48R-V-RR	7470	115	2.3	5-15P	800	Verify	8.5	10.8
SCAS60R-V-RR	9960	115	2.6	5-15P	920	Verify	8.5	11.1
SCAS72R-V-RR	9960	115	3.3	5-15P	1050	Verify	8.5	11.8

### GLYCOL

MODEL	BTUH @ 20 F	VOLT	AMP	PLUG	WT	GPM	REFRIG.	WITH OPTIONAL EVAP. PAN	
								EVAP. AMP	TOTAL AMP
SCAS48R-V-RR-GL	7470	115	2.3	5-15P	800	2.0	GLYCOL	8.5	10.8
SCAS60R-V-RR-GL	9960	115	2.6	5-15P	920	2.5	GLYCOL	8.5	11.1
SCAS72R-V-RR-GL	9960	115	3.3	5-15P	1050	2.5	GLYCOL	8.5	11.8



### Electrical & Plumbing locations



Conforms to UL Standard 471, and NSF Standard 7; Certified To CSA Standard C22.2 No.120

Conforms to NSF STD 7

**DOE 2017**  
Energy Efficiency  
Compliant

**RPI refrigerated merchandisers configured for sale for use in the United States meet or surpass the requirements of the DOE 2017 energy efficiency standards**

1. Refrigeration System is designed so air will flow front to rear. Unobstructed air flow must be maintained to ensure unit performance and maintain warranty.
2. The SCAS-V merchandiser is designed for use in stores where ambient temperatures and humidity do not exceed 80 Degrees Fahrenheit and 60% R.H. Locate away from direct sunlight, rapid air currents and extreme temperature changes. Exposure to air currents from ceiling fans, air conditioning diffusers, ovens, etc. will disrupt the case air curtain and refrigerated zone. Refrigerated Displays are designed to maintain pre-chilled products. Adding or loading warm products above 41 Degrees Fahrenheit can affect the temperature in the entire cabinet. Any adverse field conditions stated above will void warranty.

RPI in line with its policy to continually improve its products reserves the right to change materials and specifications without notice.

CALL TOLL FREE: 800-525-3692 (609-714-2330)

FAX: 609-714-2331 [www.rpiindustries.com](http://www.rpiindustries.com)

220 ROUTE 70, MEDFORD, NJ 08055

**RPI INDUSTRIES, INC.** v4\_16-19