

VIENNA AIR PAN w/ AIR TOWER

PROJECT: _____

ITEM: _____ QUANTITY: _____

MODEL # VIAP AT

SPECIFICATIONS

The Vienna Series VIAP AT is a drop-in air pan with an air tower, which provides higher air coverage for taller product. Unit is designed with a special baffle and air plenum which directs more air flow throughout the product zone, allowing for use with bowls and platters. Front of unit has lower profile for easier reachability. Evaporator features a lift-up mechanism that allows the inner pan to be easily rinsed clean. Unit is designed to accommodate standard hotel / foodservice pans (provided by others).



Available lengths: 31" 43 3/4" 56 1/2" 69 3/8"

Available depths: 27 7/8"

Available heights: 31 3/8" 33 1/8" (VIAP5 ONLY)

STANDARD FEATURES

- Self-Contained Refrigeration
- 304 Stainless Steel Exterior
- Adjustable Deck Pan to Convert to Slanted Display
- Easy Removable Deck Pans for Cleaning
- Programmable Digital Refrigeration Controller
- Insulated Air Dam Glass Sides
- Front Stainless Price Tag Holder
- Forced Air Cooling System
- Lift-Up Evaporator
- Air plenum and baffle for use with plates/platters/bowls
- ETL Listed in Accordance with UL 471 and NSF 7 Standards
- Environmentally Safe Refrigerant
- 5 Year Compressor Warranty
- Floor Drain Required

OPTIONAL FEATURES

- Remote Refrigeration
- Integrations Modular Counter (Consult Factory)
- Sneeze Guards (Consult Factory)
- Adapter Bars for Standard Pans (Pans Not Included)
- For use with crushed ice (consult factory)
- Front Air Ventilation Kit for Units Against Wall *
- Rear Air Ventilation Kit *
- Hot Gas Evaporation (self-contained only)
- Condensate Evaporator Pan (Consult Factory)

*** FRONT / REAR AIR VENTILATION KITS WILL INCREASE THE TOTAL HEIGHT OF CHOSEN UNIT BY 1 7/8"**

MODEL	L	D	H	PANS	HP	VOLT	AMP	PLUG	WT	REFRIG.	CUT-OUT SIZE
VIAP2-0-R-SC AT	31	27 7/8	31 3/8	2	1/4	115	3.9	5-15P	327	R448A	28 7/8 x 26 5/8
VIAP3-0-R-SC AT	43 3/4	27 7/8	31 3/8	3	1/3	115	4.7	5-15P	393	R448A	41 3/4 x 26 3/8
VIAP4-0-R-SC AT	56 1/2	27 7/8	31 3/8	4	3/8	115	6.1	5-15P	459	R448A	54 1/2 x 26 3/8
VIAP5-0-R-SC AT	69 3/8	27 7/8	33 1/8	5	1/2	115	6.9	5-15P	571	R448A	67 1/4 x 26 3/8

1. A 1 1/8" diameter drain is provided. The drain MUST be run to a floor drain AT TIME OF INSTALLATION.
2. Ventilation louvers MUST be provided in the cabinet or counter and located so to provide full ventilation for the condensing unit. Refrigeration System is designed so air will flow rear to front. Unobstructed air flow must be maintained to ensure unit performance and maintain warranty.
3. RPI Merchandiser is designed for use in stores where ambient temperatures and humidity do not exceed 75 Degrees Fahrenheit and 55% R.H. Locate away from direct sunlight, rapid air currents and extreme temperature changes. Exposure to air currents from ceiling fans, air conditioning diffusers, ovens, etc. will disrupt the case air curtain and refrigerated zone. Refrigerated Displays are designed to maintain pre-chilled products. Adding or loading warm products above 41 Degrees Fahrenheit can affect the temperature in the entire cabinet. Any adverse field conditions stated above will void warranty.

RPI in line with its policy to continually improve its products reserves the right to change materials and specifications without notice.



Conforms to UL Standard 471, and NSF Standard 7; Certified To CSA Standard C22.2 No.120

CALL TOLL FREE: 800-525-3692 (609-714-2330)

FAX: 609-714-2331 www.rpiindustries.com

220 ROUTE 70, MEDFORD, NJ 08055

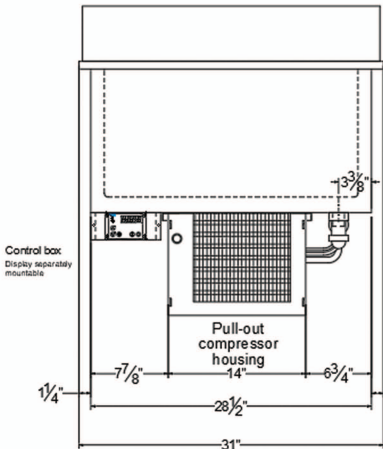
RPI INDUSTRIES, INC. v4_18_24

VIENNA AIR PAN w/ AIR TOWER

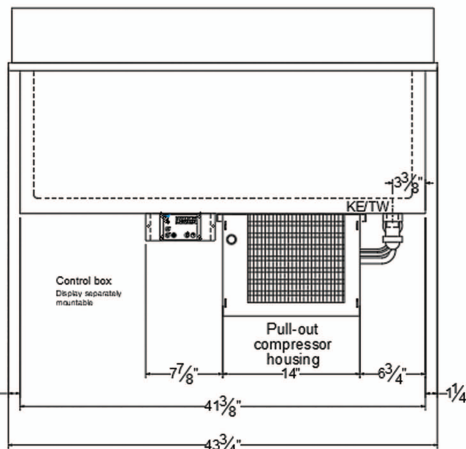
MODEL # VIAP AT

PROJECT:
TOLL FREE: 800-525-3692

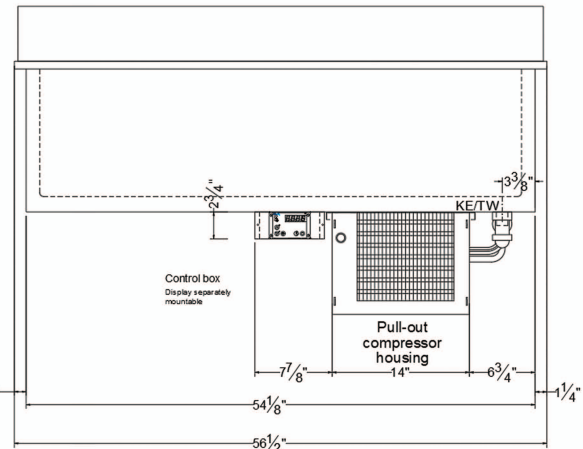
(Operator side view)



VIAP2-0-R-SC AT



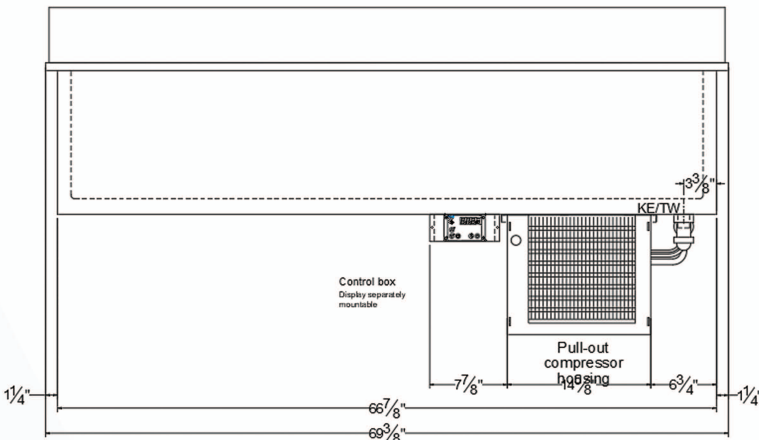
VIAP3-0-R-SC AT



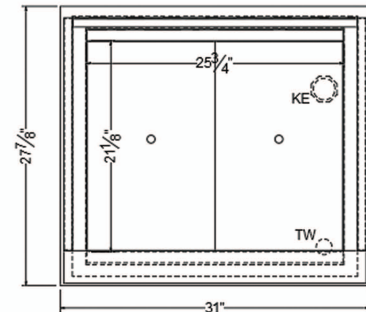
VIAP4-0-R-SC AT

Electrical & Plumbing locations

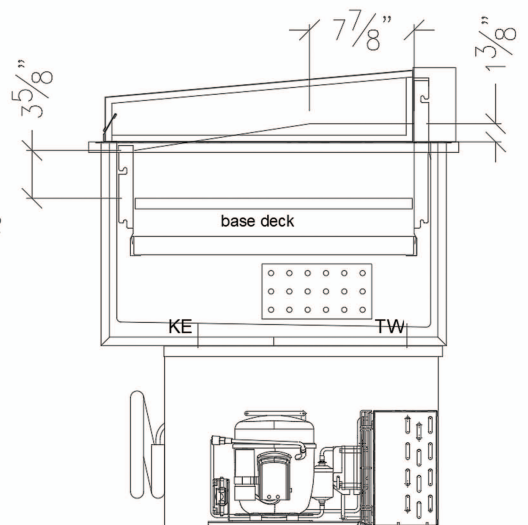
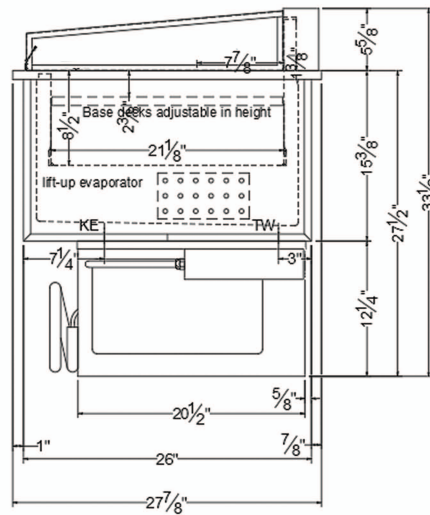
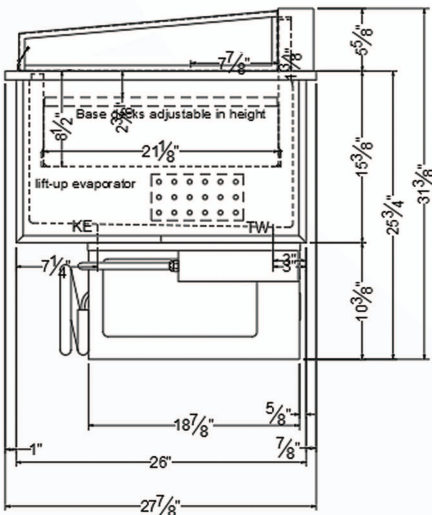
2 1/2" HOLE REQUIRED FOR
COOLING AND ELECTRIC LINES
(Floor plan)



VIAP5-0-R-SC AT



(Side elevation)



VIAP2 - VIAP3 - VIAP4

VIAP5

CALL TOLL FREE: 800-525-3692 (609-714-2330)

FAX: 609-714-2331 www.rpiindustries.com

220 ROUTE 70, MEDFORD, NJ 08055