

MODEL # VIHD-SQ-CO-VARIO

SPECIFICATIONS

Innovative circulating heat technology that guarantees the prescribed core temperature for your packaged products can also be used to keep food hot at any desired temperature setting (adjustable directly or via the app). Available in multiple configurative modules or tower solutions. All visible parts are stainless steel powder-coated in RAL9005 (Jet Black) matte.

Available lengths: 23 1/2"

Available depths: 30 1/8"

Available heights: 15 3/8" 30 3/8" 66" 81"



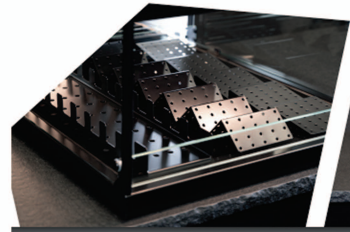
Shown with optional flex roller

STANDARD FEATURES

- Completely made of stainless steel
- Electronic controller with digital temperature display
- Interior lighting on the cover
- Back wall inner side with reflective sheet metal, side panels in normal glass
- Hot air distribution via the cover into the interior
- Black glass presentation area
- With height-adjustable feet

OPTIONAL FEATURES

- Flex roller black (1 per unit)
Snack units priced each, can have up to 3 per unit can mix and match
- Snack holder RAL9005 (Left)
- Snack wave RAL9005 (Middle)
- Snack wave flat RAL9005 (Right)
- Additional powder coat colors available, contact factory



MODEL	L	D	H	VOLT	AMPS	PLUG	WT
VIHD1-SQ-CO-VARIO	23 1/2"	30 1/8"	15 3/8"	208-230V	3.6	6-20P	116
VIHD2-SQ-CO-VARIO	23 1/2"	30 1/8"	30 3/8"	208-230V	7.2	6-20P	232
VIHD3-SQ-CO-VARIO	23 1/2"	30 1/8"	66"	208-230V	10.8	6-20P	348
VIHD4-SQ-CO-VARIO	23 1/2"	30 1/8"	81"	208-230V	14.4	6-20P	464



Conforms to UL Standard 197, and NSF Standard 4; Certified To CSA Standard C22.2 No. 109

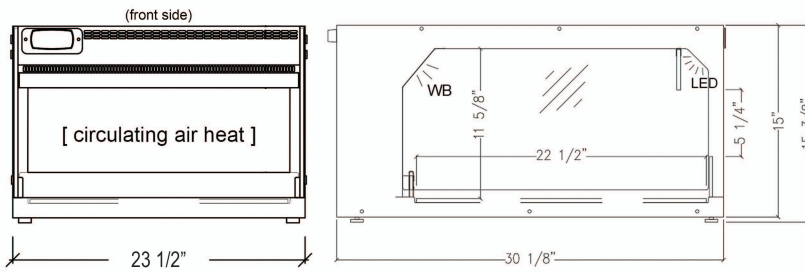
CALL TOLL FREE: 800-525-3692 (609-714-2330)

FAX: 609-714-2331 www.rpiindustries.com

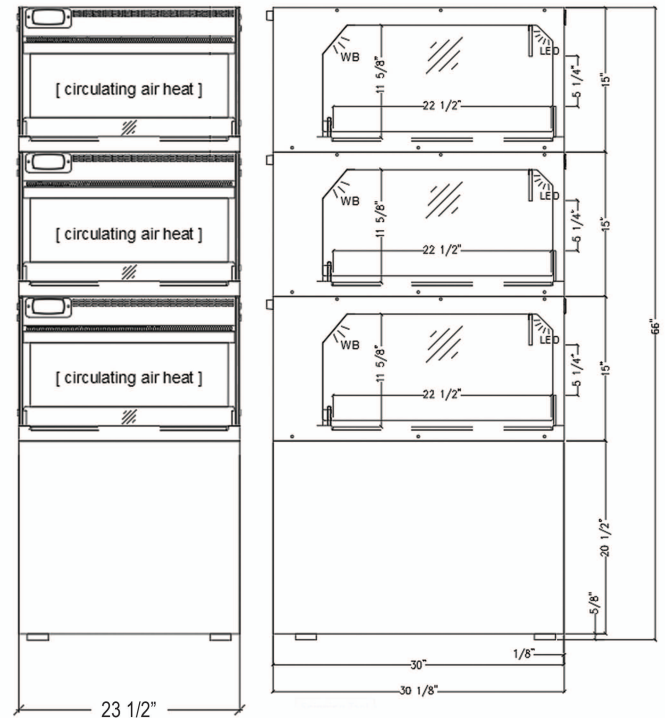
220 ROUTE 70, MEDFORD, NJ 08055

MODEL # VIHD-SQ-CO-VARIO

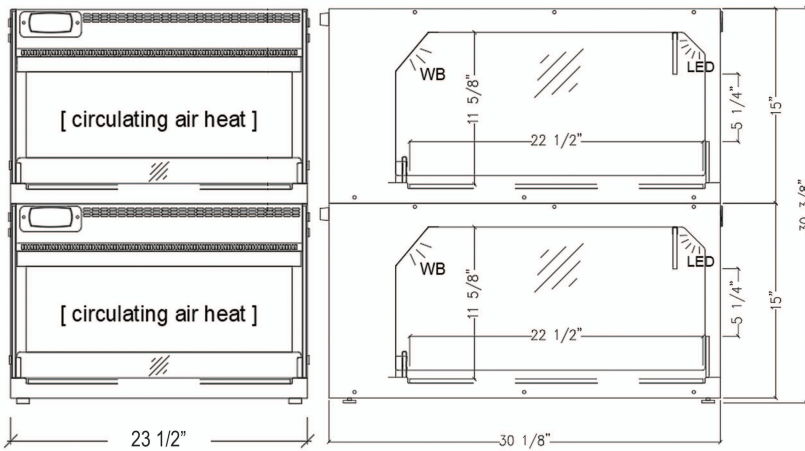
VIHD1-SQ-CO-VARIO



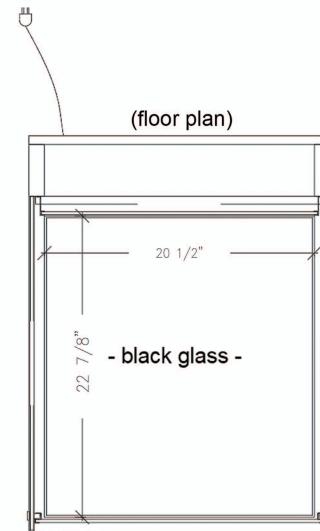
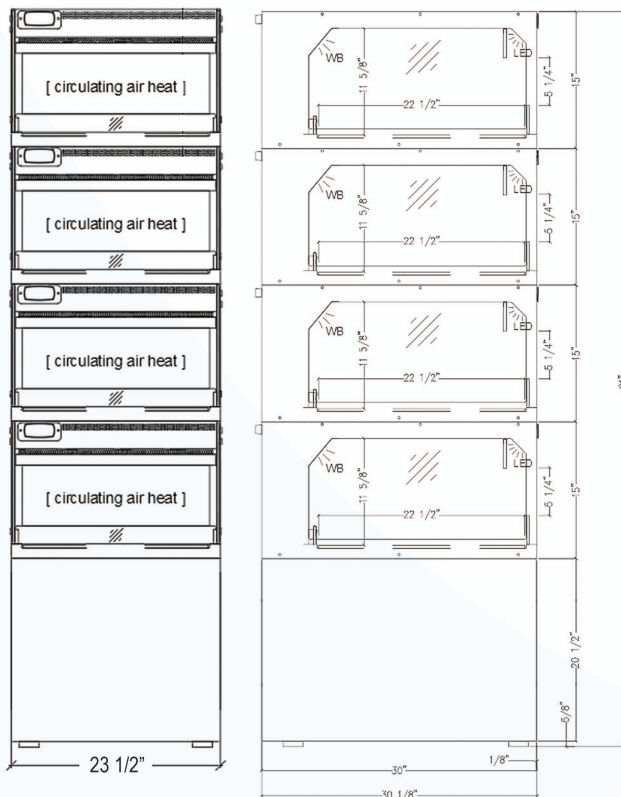
VIHD3-SQ-CO-VARIO



VIHD2-SQ-CO-VARIO



VIHD4-SQ-CO-VARIO



RPI in line with it's policy to continually improve it's product reserves the right to change materials and specifications without notice.

CALL TOLL FREE: 800-525-3692 (609-714-2330)

FAX: 609-714-2331 www.rpiindustries.com

220 ROUTE 70, MEDFORD, NJ 08055