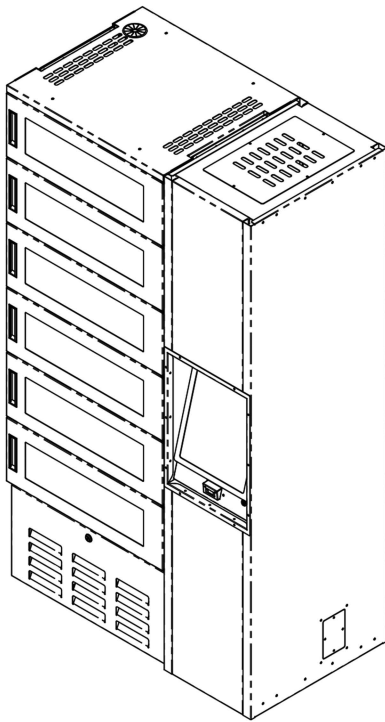
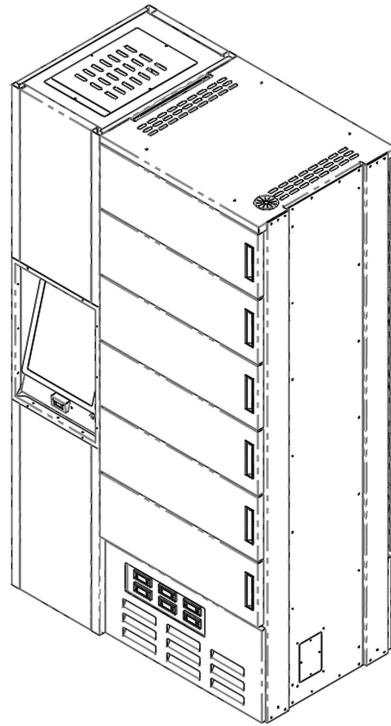


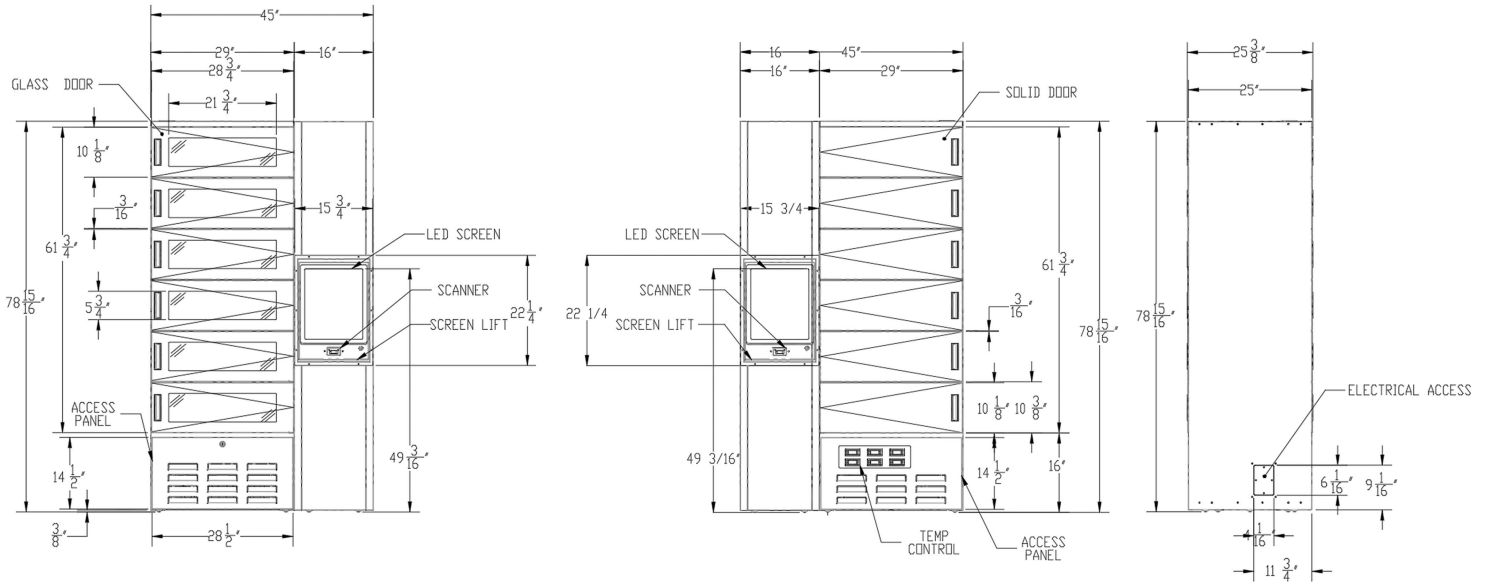
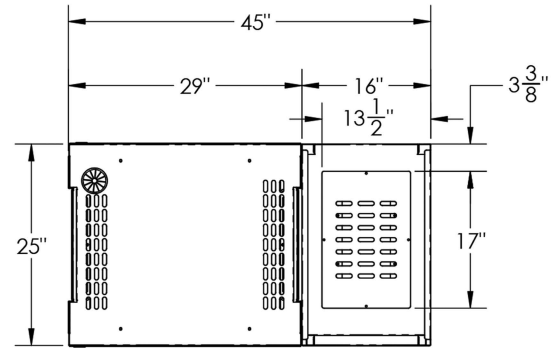
ONDO PIZZA LOCKER WITH TECH-TOWER



**FRONT VIEW
ISO VIEW**



**BACK VIEW
ISO VIEW**



	Electrical	NEMA	Plug Qty
AI (up to 6 cubes)	125/250 VAC 10 amps total	L14-20R	1

Note:
Columns with temperature control (hot/cold/convertible) require individual power connections for each column. Ambient insulated and non-insulated require 1 power connection for the entire bank, up to 3 total lockers. The NEMA plugs are provided and will be coming out of the top of the column(s). Each user interface requires and ethernet connection to the internet.

The ONDO merchandiser is designed for use in stores where ambient temperature and humidity do not exceed 80 Degrees Fahrenheit and 60% R.H. Locker system is designed for holding pre-chilled or pre-heated products within appropriate locker temperature settings.

RPI in line with it's policy to continually improve it's products, reserves the right to change materials and specifications without notice.

CALL TOLL FREE: 800-525-3692 (609-714-2330)
FAX: 609-714-2331 www.rpiindustries.com
220 ROUTE 70, MEDFORD, NJ 08055

